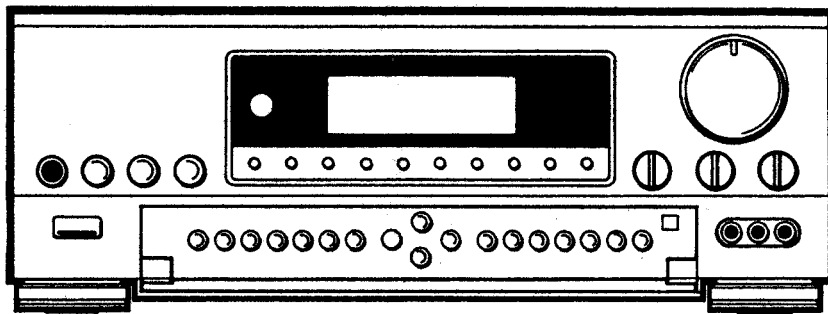


AKAI SERVICE MANUAL



AUDIO/VIDEO RECEIVER

AA-V12DPL

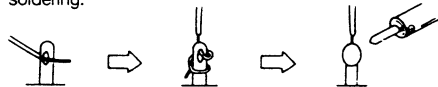
CONTENTS

SAFETY INSTRUCTIONS	4
SPECIFICATIONS	5
I. DISASSEMBLY	7
II. PRINCIPAL PARTS LOCATION	8
III. ADJUSTMENT	9
IV. PARTS LIST	12
V. WIRING DIAGRAM	30
VI. BLOCK DIAGRAM	31
VII. SCHEMATIC DIAGRAM	32
VIII. PCB LAYOUT	36
IX. INFORMATION OF ICs MI-COM	40
ABBREVIATIONS	42

SAFETY INSTRUCTIONS

PRECAUTIONS DURING SERVICING

- Parts identified by the Δ (*) symbol parts are critical for safety. Replace them only with parts whose numbers are specified.
- In addition to safety, other parts and assemblies are specified for conformance with such regulations as those applying to spurious radiation. These must also be replaced only with specified replacements.
Examples: RF converters, tuner units, antenna selection switches, RF cables, noise-blocking capacitors, noise-blocking filters, etc.
- Use specified internal wiring. Note especially:
 - Wires covered with PVC tubing
 - Double insulated wires
 - High voltage leads
- Use specified insulating materials for hazardous live parts. Note especially:
 - Insulating Tape
 - PVC tubing
 - Spacers (insulating barriers)
 - Insulating sheets for transistors
 - Plastic screws for fixing micro switches
- When replacing AC primary side components (transformers, power cords, noise blocking capacitors, etc.), wrap ends of wires securely about the terminals before soldering.



- Make sure that wires do not contact heat generating parts (heat sinks, oxide metal film resistors, fusible resistors, etc.).
- Check if replaced wires do not contact sharply edged or pointed parts.
- Also check areas surrounding repaired parts.
- Make sure that foreign objects (screws, solder droplets, etc.) do not remain inside the set.

MAKE YOUR CONTRIBUTION TO PROTECT THE ENVIRONMENT

Used batteries with the ISO symbol for recycling as well as small accumulators (rechargeable batteries), mini-batteries (cells) and starter batteries should not be thrown into the garbage can. Please leave them at an appropriate depot. All other household batteries can be thrown out with the household waste.



SAFETY CHECK AFTER SERVICING

After servicing, make measurements of leakage-current or resistance in order to check if exposed parts are acceptably insulated from the supply circuit.

The leakage-current measurement should be done between accessible metal parts (such as chassis, ground terminal, microphone jacks, signal input/output connectors, etc.) and the earth ground through a resistor of 1500 ohms paralleled

with a 0.15 μ F capacitor, under the unit's normal working condition.

The leakage-current should be less than 0.5mA rms AC. The resistance measurement should be done between accessible exposed metal parts and power cord plug prongs with the power switch "ON" (if included). The resistance should be more than 2.2Mohms.

SYMBOLS FOR PRIMARY DESTINATION

Alphabet indicates the destination of the units as listed below.

Symbol	Principal Destination
A	USA
B	UK
E	Europe(except, UK)
S	Australia
V	Germany
U	Universal
Y*	Custom version

SPECIFICATIONS

[AA-V12 DPL]

Power output

Front

Bypass 80W + 80W (THD 0.1%)

Surround 50W + 50W (THD 0.5%)

Rear 12.5W + 12.5W (THD 0.8%)

Center 50W (THD 0.5%)

Total Harmonic Distortion

Front

Bypass 0.1%

Surround 0.5%

Rear 0.8%

Center 0.5%

Frequency Response 10Hz-60KHz(Bypass)

S/N Ratio 85dB

Input Sensitivity(Bypass)

AUDIO

Phono 3mV

CD, TUNER, TAPE/DAT, VIDEO1, 2 200mV

VIDEO

VIDEO1, 2 1Vp-p

Tone Control

BASS ± 10 dB

TREBLE ± 10 dB

Power Source AC 230V, 50Hz

Dimension 420(W) \times 150(H) \times 350(D)mm

Weight 12.2Kg

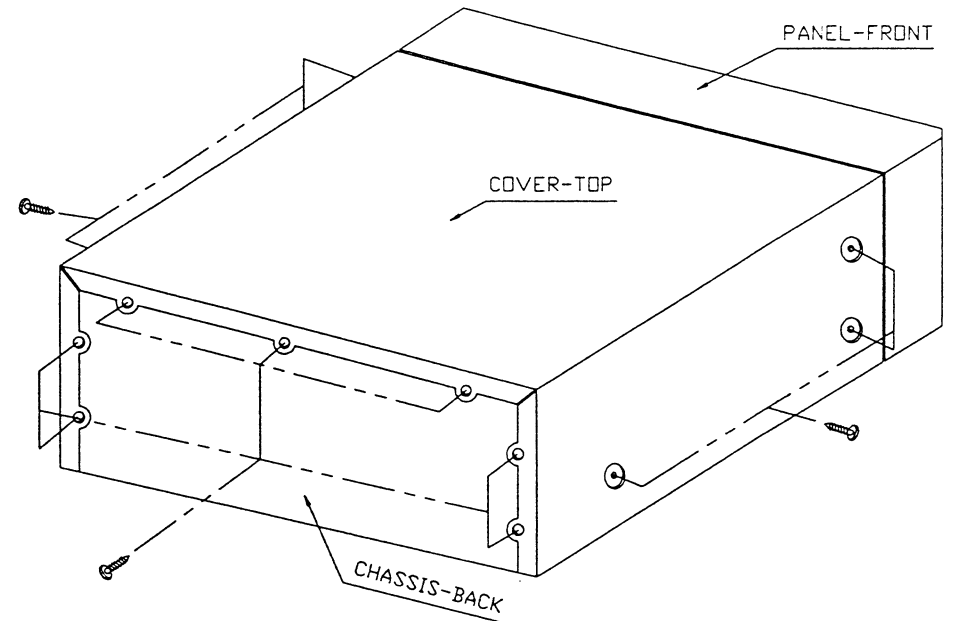
Power Consumption 150W

Frequency range		
FM	87.5-108.0MHz (50KHz steps)	
MW	522-1620KHz (9KHz steps)	
LW	146-290KHz (1KHz steps)	
Sensitivity(DIN)		
FM	2.0 μ V	
MW	1mV	
LW	3mV	
Signal-to-noise ratio (IHF A Network)		
FM mono	70dB	
FM stereo	65dB	
MW	50dB	
LW	40dB	
FM T.H.D		
Mono	0.3%	
Stereo	0.5%	
Frequency response		
FM	20Hz-15KHz	
MW	100Hz-2KHz	
Selectivity		
FM	60dB	
MW	15dB	
Stereo separation		40dB(1KHz)

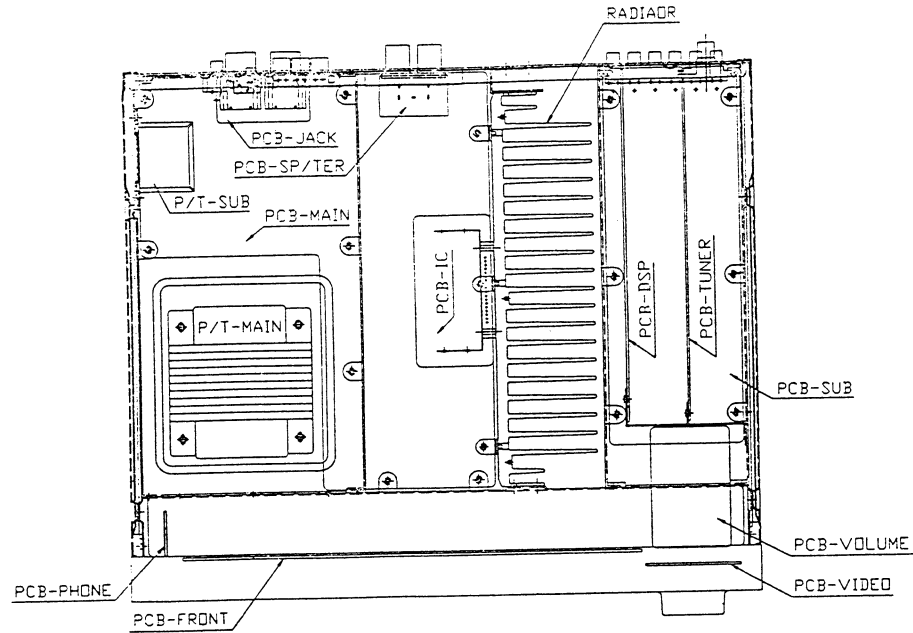
* For improvement purposes, specifications and design are subject to change without notice.

I. DISASSEMBLY

1. REMOVAL OF COVER-TOP



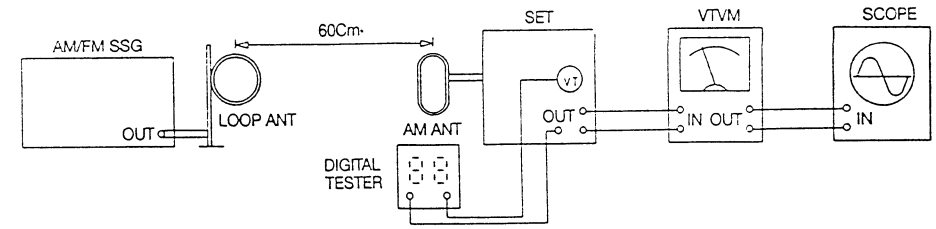
II. PRINCIPAL PARTS LOCATIONS



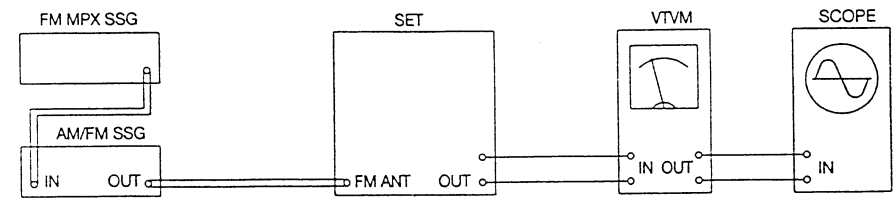
III. ADJUSTMENT

1. TUNER INSTRUMENT CONNECTIONS

1) MW & LW COVER/TRACKING



2) FM TRACKING/MPX



2. TUNER/SURROUND ELECTRICAL ADJUSTMENT

STEP	ADJUSTMENT ITEM
1.	SSG FREQ. & OUTPUT LEVEL
2.	SET Tuning FREQ.
3.	ADJ. Part
4.	REMARKS(●) & RESULT(*)

Test Point Adjustment Part

LW

NOTE: 1. Set the S.S.G to 400Hz 30% modulation on each adjustment.

1 LW OSC

TUNING VOLTAGE

- 146KHz(Low), 60dB μ
- 146KHz(Low), PRESET 11CH
- T104, TP1
- Connect the digital DC voltmeter to TAPE/DAT REC OUT
* Tuning voltage: 1.2V

2 LW SENSITIVITY

- LOW-164KHz, 70dB μ
- LOW-164KHz PRESET 12ch
- T102(Low)
- Connect the milli-voltmeter to TAPE/DAT REC OUT
* Maximum output level.
* For best result, repeat adjustment several times.

3 LW SENSITIVITY

- HIGH-263KHz, 70dB μ
- HIGH-263KHz PRESET 14ch
- TC102(HIGH)
- Connect the AC Milli-VOLTMETER to TAPE/DAT REC OUT
* Maximum output level.
* For best result, repeat adjustment several times.

AM

NOTE: Set the S.S.G to 400Hz 30% modulation on each adjustment.

1 AM(MW) SENSITIVITY

- 522KHz(Low), 60dB μ
- 522KHz(Low), PRESET 6ch
- T103
- Connect the digital DC voltmeter to TAPE/DAT REC OUT
* Tuning voltage: 1.2V

2 AM(MW) SENSITIVITY

- 603KHz, 60dB μ (LOW)
- 603KHz(Low), PRESET 7ch
- T101 (LOW)
- Connect the AC Milli-VOLTMETER to TAPE/DAT REC OUT
* Maximum output level.
* For best result, repeat adjustment several times.

3 AM(MW) SENSITIVITY

- 1404KHz, 60dB μ (HIGH)
- 1404KHz(HIGH), PRESET 9ch
- TC101 (HIGH)
- Connect the AC milli-voltmeter to TAPE/DAT REC OUT
* Maximum output level
* For best result, repeat adjustment several times.

4 AM IF

- 990KHz, 60dB μ
- 990KHz, PRESET 8ch
- T105
- Connect the distortion meter to TAPE/DAT REC OUT
* MINIMUM DISTORTION

5 TUNING INDICATOR

- 990KHz, 60dB μ
- 990KHz
- TUNED Indicator on the front panel, VR101
- * TUNED Indicator is lit.

5 STEREO SEPARATION

- 98.0MHz, 60dB μ (STEREO L or R channel only)
- 98.0MHz PRESET 3CH
- VR103
- Connect the AC Milli-VOLTMETER to TAPE/DAT REC OUT
* Minimum output level for opposite channel.

FM

1 CENTER VOLTAGE

- 98.0MHz, 60dB μ (MONO)
- 98.0MHz PRESET 3ch
- TP2, T106
- Connect the DC Digital Voltmeter between TP2.
* 0 + 50mV

2 DISTORTION (MONO)

- 98.0MHz, 60dB μ (MONO)
- 98.0MHz
- T107
- Connect the Distortion meter to TAPE/DAT REC OUT
* MINIMUM DISTORTION

3 TUNING INDICATOR

- 98.0MHz, 15dB μ (MONO)
- 98.0MHz
- TUNED Indicator on front panel, VR102
- * TUNED Indicator is lit.

4 DISTORTION(STEREO)

- 98.0MHz, 60dB μ (STEREO L or R channel only)
- 98.0MHz
- IFT (FRONT END)
- Connect the distortion meter to TAPE/DAT REC OUT
* Minimum Distortion

3. REAR NOISE LEVEL ADJUSTMENT

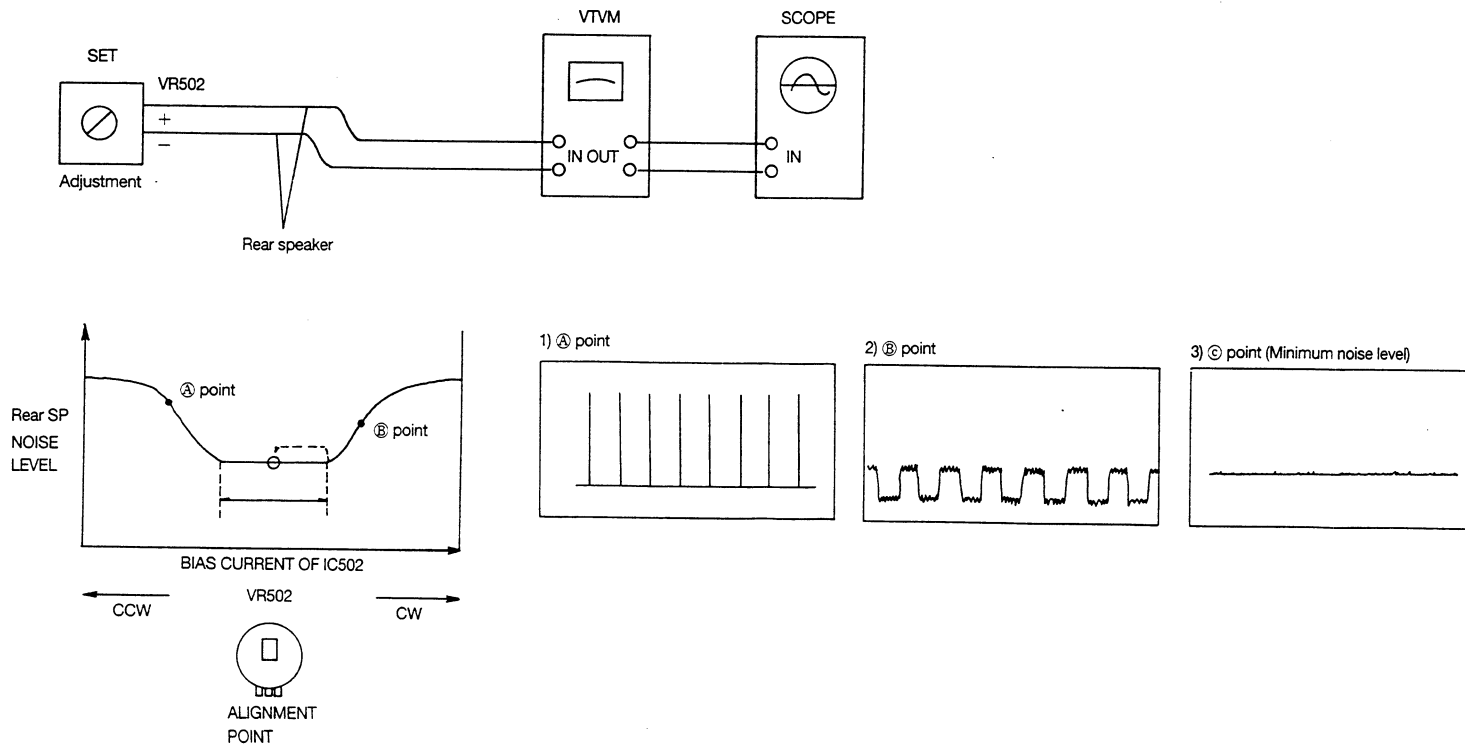
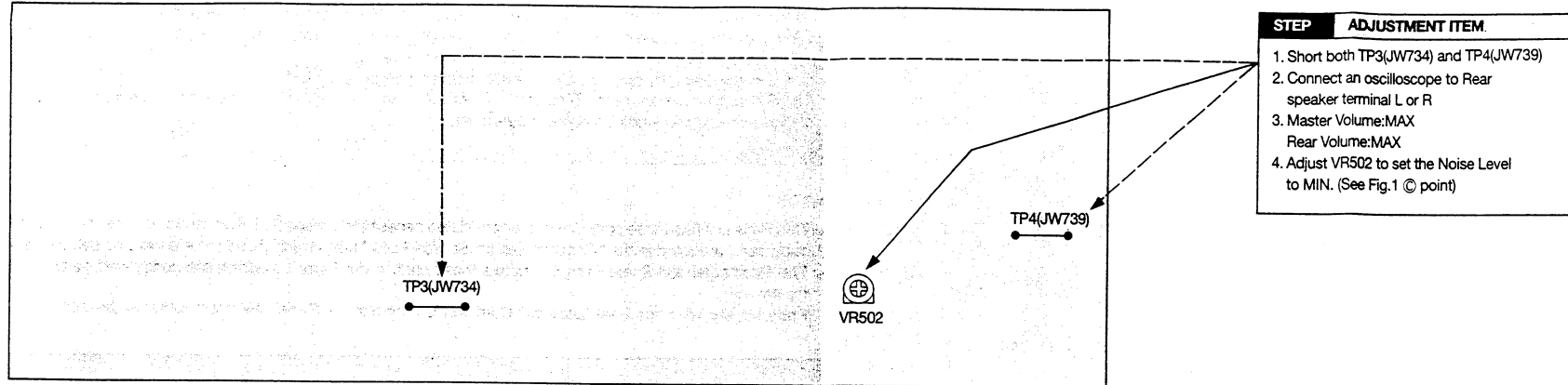


Fig.1

IV. PARTS LIST

ATTENTION

1. When placing an order for parts, be sure to list Part No. Model No. and the description of each part. Otherwise, the non-delivery of the part or the delivery of a wrong part may result.
2. Please make sure that Part No. is correct when ordering. If not, a part different from the one you ordered may be delivered.
3. Since the parts shown in Parts List of Preliminary Service Manual may have been the subject of changes, please use this Parts List for all future reference.

[NOTE]

1. This Parts List lists those parts which are considered necessary for repairs. Other common parts, such as resistors and capacitors, are listed in the "Common List for Service Parts" from which these parts should be selected and stocked.
2. The Recommended Spare Parts List shows those parts in the Parts List which are considered particularly important for service.
3. Parts not shown in the Parts List and "Common List for Service Parts" will not in principle be supplied.

WARNING

▲(*) INDICATED SAFETY CRITICAL COMPONENTS. FOR CONTINUED SAFETY, REPLACE SAFETY CRITICAL COMPONENTS ONLY WITH MANUFACTURE'S RECOMMENDED PARTS.

AVERTISSEMENT

▲(*) IL INDIQUE LES COMPOSANTS CRITIQUES DE SÉCURITÉ. POUR MAINTENIR LE DEGRÉ DE SÉCURITÉ DE L'APPAREIL, NE REMPLACER QUE DES PIÈCES RECOMMANDÉES PAR LE FABRICANT.

1. RECOMMENDED SPARE PARTS

Ref. No.	Part No.	Description			
1	* ACAC-00063-000	CORD-AC ASS'Y KKP-419C, YH396-03A, YT396	30	ICRG-00091-SE0	IC REGULATOR KA7806 6V 3mm TO-220
2	BTCE-00152-107	FILTER-CERAMIC SFE 10.7MUA10H-A FTZ	31	ICRG-00251-SE0	IC REGULATOR KA7915 15V 3mm TO-220
3	BTCE-00440-045	FILTER-CERAMIC ACFM3-450BL	32	ICCM-00060-SQ0	IC QUAD SWITCH GD4066B DIP14
4	BTCE-00270-004	FILTER-CERAMIC BFU 450C4N	33	ICCM-20380-S10	IC PLL LC7218 DIP24S
5	BTCE-00310-004	FILTER-CERAMIC CSB456F11	34	ICCM-20740-S10	CMOS LSI LV1010N DIP24S
6	* CACS-S472M-179	CAPACITOR AC DE7100F472M	35	ICDG-01140-S10	D.P.L. RECORDER LA2785 DIP42S
7	DDMR-00210-T11	DIODE-RECTIFIER 1N5402S (200V 3A) DO-20 M	36	ICLN-00190-S10	IC FM MPX LA3410 DIP16
8	DDTR-00040-T10	DIODE-RECTIFIER 1N4004 (400V 1A) DO-41 T	37	ICLN-01630-S10	IC AM/FM IF LA1267 DIP24
9	DDTZ-G062B-S00	DIODE ZENER MTZ6.2B 5.96-6.27 DO40 T	38	IFFA-00110-E20	IFT-FM AFA011 7mm-CAN
10	DDTZ-G120B-S00	DIODE ZENER MTZ12B 11.44-12.03 DO40 T	39	IFFD-00100-E20	IFT-FM DET AFD010 7mm-CAN
11	DDTZ-G150C-S00	DIODE ZENER MTZ15C 14.35-15.09 DO40 T	40	KTAL-00101-003	CRYSTAL KDSIF 32.768KHz-20P
12	DDTZ-G180C-S00	DIODE ZENER MTZ18C 17.42-18.33 DO40 T	41	KTRE-00210-120	RESONATOR CST 12.0MTW-TF01
13	DD4B-00210-TX0	DIODE BRIDGE BU8-02 200V 8A BRIDGE	42	KIBK-00050-E40	COIL-AUDIO CHOCK ABK005 2.2μH
14	DPFL-00360-00Z	DISPLAY-FLUORESCENT CM1360D	43	IFAA-00250-E20	AM IFT AAA-025
15	DPLT-00011-VC5	DOT-LED SLR-54VC3 RED R5 N	44	KIAO-00240-E20	COIL-AM OSC AAO024 MW 7mm-CAN
16	DSSV-0003B-S30	DIODE-VVC 1SV149B AM 8V DIP2 S	45	KIAT-00351-E20	COIL-AM ANT AAT035-1 MW 10mm-CAN
17	DDTZ-G100B-S00	DIODE ZENER MTZ10B 9.41-9.90 DO40 T	46	KIFK-00050-E40	COIL-FM CHOKE AFK-005 2.2μH K
18	DDTZ-G130B-S00	DIODE ZENER MTZ13B 12.55-13.21 DO40 T	47	KIML-00020-E20	COIL-FM MPX FILTER AMA002 19KHz 7mm-CAN
19	* FGFB-S1002-337	FUSE GLASS 1A 250V 5 × 20 V/S/B T	48	KIOT-3101K-002	COIL-INDUCTOR 100μH K LA 30 T L 04
20	* FGFB-S3152-139	FUSE GLASS 3.15A 250V 5 × 20 U/V/B T	49	KIOT-4101K-003	COIL-INDUCTOR 100μH K LA 40 T L 02
21	* FGFB-S3152-337	FUSE GLASS 3.15A 250V 5 × 20 V/S/B T	50	KTAL-00041-072	CRYSTAL HC-49/U 7.200000MHz
22	ICCM-20730-S10	CMOS-LSI LC866124A QIP80E	51	KTRE-00220-080	RESONATOR CST8.00MTW-TF01
23	ICDG-00560-S00	IC MOTOR DRIVER BA6208 SIP9	52	* PTAP-02450-Y1V	TRANSFORMER-POWER A96-245Y-V 230V/50Hz
24	ICDG-00610-S10	IC FUNCTION SELECTOR LC7822 DIP30S	53	* PTAD-02380-Y1V	TRANSFORMER-POWER A41-238Y-V 230V/50Hz
25	ICHY-00180-TL0	IC REMOTE RECEIVER KRM-65M	54	* RFUM-G150J-130	RESISTOR-FUSIBLE 15ohm 1/2W 5% M
26	ICOP-00131-SE0	IC DUAL OP AMP KA4558C DIP8	55	* RFUZ-F100G-001	RESISTOR-FUSIBLE 10ohm 1/4W G ERD2FCG100P
27	ICHP-00100-S10	IC HYBRID AMP-POWER STK4192 II 50W × 2 SIP18	56	RMOH-H100J-030	RESISTOR-METAL OXIDE 10ohm 1W 5% H
28	ICOP-00130-SE0	IC DUAL OP AMP KA4558S SIP9	57	RMOH-H3R3J-030	RESISTOR-METAL OXIDE 3.3ohm 1W 5% H
29	ICRG-00061-SE0	IC REGULATOR KA7815 15V 3mm TO-220	58	RMOH-J220J-040	RESISTOR-METAL OXIDE 22ohm 2W 5% H
			59	RMOH-J222J-040	RESISTOR-METAL OXIDE 2.2Kohm 2W 5% J
			60	RMOH-J390J-040	RESISTOR-METAL OXIDE 39ohm 2W 1% H

Ref. No.	Part No.	Description
61	RMOH-J471J-040	RESISTOR-METAL OXIDE 470ohm 2W 5% H
62	RMOH-KR22J-040	RESISTOR-METAL OXIDE 0.22ohm 3W 5% H
63	SKAO-00130-4CV	AC OUT LET
64	SKPH-00293-66W	YKE31-0090 4.0PI 250V 2.5A SOCKET-PHONE HTJ064 05BG GOLD
65	SKRC-00150-020	SOCKET-RCA LGA6502-0150 2P
66	SKRC-00280-020	SOCKET-RCA JK0200900N 2P
67	SKRC-00310-060	SOCKET-RCA JK0600920N 6P
68	SKRC-00380-031	SOCKET-RCA JK0300081G
69	SKRC-00420-061	SOCKET-RCA JK0600460N
70	SWTA-00230-06V	SWITCH-TACT SKHH17910A 12V 50mA W/GND
71	TESP-00220-06P	TERMINAL SPEAKER P40620701P
72	TESP-00241-04S	TERMINAL SPEAKER SH041037CN(4P)
73	TRSA-0013Y-SD0	TRANSISTOR P-H FREQ KTA1024-Y TO92L
74	TRTA-0008Y-SD0	TRANSISTOR P-H FREQ KTA1266-Y TO92
75	TRTA-0011G-SD0	TRANSISTOR P-H FREQ KTA1268-GR TO92
76	TRTA-0040Y-SOS	TRANSISTOR P-H FREQ DTA114Y-S W/RESIST TO92M
77	TRTA-00700-SD0	TRANSISTOR P-H FREQ KTA1659-O TO-220IS
78	TRTA-0090Y-SJ0	TRANSISTOR P-H FREQ 2SA1695-Y TO3P
79	TRTC-0015G-SD0	TRANSISTOR N-H FREQ KTC3200-GR TO92
80	TRTC-0016G-SD0	TRANSISTOR N-H FREQ KTC3198-GR TO92
81	TRTC-0016Y-SD0	TRANSISTOR N-H FREQ KTC3198-Y TO92
82	TRTC-00710-SD0	TRANSISTOR N-H FREQ KTC4370-O TO-220IS
83	TRTC-0087Y-SD0	TRANSISTOR N-H FREQ KTC3206-Y TO92L
84	TRTC-0130Y-SJ0	TRANSISTOR N-H FREQ 2SC4468-Y TO3P
85	TRTD-00200-SD0	TRANSISTOR N-L FREQ KTD-1302 TO92
86	TEAT-00051-03R	TERMINAL ANTENNA AK 1/2-1058A
87	TRSK-0001G-S30	FET N-CHANNEL 2SK246-GR TO92
88	TRTA-0008G-SD0	TRANSISTOR P-H FREQ KTA1266-GR TO92
89	TRTC-0010Y-SD0	TRANSISTOR N-H FREQ KTC1923-Y TO92
90	TRTC-0034Y-SOS	TRANSISTOR N-H FREQ DTC114Y-S TO92
91	TRTC-0039Y-SD0	TRANSISTOR N-H FREQ KTC3205-Y TO92L

2. ASS'Y MECHANISM

Ref. No.	Part No.	Description
	ANTL-00060-E50	ANTENNA-LOOP AAN-007 19.5xH 7T 125 x 93
	ANTW-00020-202	ANTENNA-WIRE AFN-002 1007#24-2000mm
F801	* FGF8B-S1002-337	FUSE GLASS 1A 250V 5 x 20 V/S/B T
F802		
F806		
F803	* FGF8B-S3152-337	FUSE GLASS 3.15A 250V 5 x 20 V/S/B T
F804		
F805	* FGF8B-S3152-139	FUSE GLASS 3.15A 250V 5 x 20 U/V/B T
MA001	MAAF-04840-ZZ3	PLATE-KNOB
MA002	MAAF-05440-ZZ3	WINDOW-FLT
MA100	MAAF-13380-004	COVER-POWER
ME001	MEAC-03320-002	RADIATOR-MAIN
MJ001	MJAF-03790-ZZ1	PANEL-FRONT
MJ002	MJAF-04830-ZZ3	DOOR-CAP
MJ003	MJAF-11690-ZZ4	KNOB-SURROUND
MJ004		
MJ005	MJAF-11700-ZZ4	KNOB-POWER
MJ006	MJAF-11730-ZZ4	KNOB-DSP
MJ007	MJAF-11750-ZZ4	LENS-POWER
MJ008	MJAF-12580-ZZ4	BADGE-AKAI
MJ009	MJAF-12450-ZZ4	LENS-VOLUME
MJ010	MJAF-12460-ZZ4	KNOB-VOLUME
MJ011	MJAF-12470-ZZ4	KNOB-MODE
MJ012	MJAF-12480-ZZ4	KNOB-SCAN
MJ013		
MJ014	MJAF-12490-ZZ4	KNOB-BALANCE
MJ015		
MJ016		
MJ107	MJAG-00281-003	BUSH-CORD DACS-12
MJ018	MJAG-00840-003	LATCH-PUSH M-21CD
MJ019	MJAG-04540-004	CABLE-TIE-L80
MJ020		
MJ021		
MJ022		
MJ023		
MJ024		
MJ025		
MJ026		
MJ027		
MJ028		
MJ029	MJAG-10260-004	FOOT-D59
MJ30		
MM001	MMAC-12060-004	TERMINAL-GND
MM002	MMAC-13040-ZZ4	RING-FOOT
MM003		
MM004	MMAC-17070-004	JACK-CONNECT
MM005		
MM006	MMMC-12183-004	SCREW-BH/W BH/W3 x 14 D = 14 t = 1
MM007		
MP001	MPAC-03330-002	CHASSIS-PT
MP002	MPAC-03340-002	CHASSIS-PCB
MP003	MPAC-03350-002	CHASSIS-FRONT
MP004	MPAC-03360-002	CHASSIS-BOTTOM
MP005	MPAC-03380-ZZ2	CHASSIS-BACK
MP006	MPAC-03800-ZZ1	CHASSIS-TOP

MP007	MPAC-03990-003	BRACKET-SIDE
MP008	MPAC-06710-004	CLAMP-WIRE-L52
MP009		
MP010		
MP011		
MP012		
MP013	MPAC-09240-004	BRACKET-RAD-C
MP014	MPAC-13370-004	BRACKET-RADIATOR
MR001	MRAG-06860-004	SHEET-SILICONE TA-403AR (EMERSON) RUBBER-TR 27 x 18 x 0.3t
MR002	MRAG-09970-004	
MR003		
MR004		
MR005		
MR006	MRAG-10240-004	CUSHION-FOOT
MR007		
MR008		
MR009		
MR100	MRAG-11140-004	CUSHION-SIDE
MR101		
	* PTAP-02450-Y1V	TRANSFORMER-POWER A96-245Y-V 230V/50Hz
XS001	XSTB-30080-ZY4	SCREW-TAPPING BHT2T 3 x 8 FE-ZY
XS002		
XS003		
XS004		
XS005		
XS006		
XS007		
XS008		
XS009		
XS010		
XS011		
XS012		
XS013		
XS014		
XS015		
XS016		
XS017		
XS018		
XS019		
XS020		
XS021		
XS022		
XS023		
XS024		
XS025		
XS026		
XS027		
XS028		
XS029		
XS030		
XS032		
XS033		
XS034		
XS035		
XS036		
XS037		
XS038		
XS039		
XS040		
XS041		
XS042		

Ref. No.	Part No.	Description	Ref. No.	Part No.	Description	Ref. No.	Part No.	Description
XS043			XS105	XSTS-30080-ZY4	SCREW-TAPPING	C905		
XS31			XS106		PHWT2T 3 × 8 FE-ZY	C240	CEET-J4R7M-C10	CAPACITOR E/ALUMINUM 4.7μF M 50V 5 × 11 T
XS063	XSTB-30100-ZY4	SCREW-TAPPING	XS107			C241		
XS064		BHT2T 3 × 10 FE-ZY	XS108			C280		
XS065			XS109			C283		
XS066			XS110			C286		
XS067			XS111			C287		
XS068			XS112			C288		
XS069			XS113			C289		
XS070			XS114			C295		
XS071			XS115			C909	CEGS-B104Z-JC0	CAPACITOR E/DO LAYER 0.1F Z 5.5V 12.5 × 5.5H S
XS072			YG001	YGAP-11500-ZZ4	BOX-GIFT	C247	CFMT-N152J-CJ0	CAPACITOR F/POLYESTR 0.0015μF J 100V 5.4 × 12 T
XS073			YI001	YIAR-1006-ZZE	INST-MANUAL	C251		
XS074			YP001	YPAR-E1000-01A	PRINT-A	C254		
XS075			YS001	YSAP-01160-001	CUSHION-L/R	C255		
XS076			YS002			C246	CFMT-N562J-DJ0	CAPACITOR F/POLYESTR 0.0056μF J 100V 5.8 × 12 T
XS077			YV001	YVAP-01861-004	POLY-BAG-I	C250		
XS078				YSAP-0623C-004	PAD-CUSHION	D102	DDTS-00060-S00	DIODE-SI
XS044	XSTB-30120-ZB4	SCREW-TAPPING	YV002	YVAP-10401-004	490 × 210 × 20t(TRV-1400)	D201		1SS131 (90V 0.13A) DO-40 T
XS045		BHT2T 3 × 12 FE-ZB			TOLON-BAG-S	D202		
XS046						D903		
XS047						D904		
XS048						D907		
XS049						D910		
XS050						D911		
XS051						D912		
XS052						D913		
XS053						D914		
XS054						D915		
XS055						D916		
XS056						D917		
XS057						D919		
XS058						D922		
XS059						D924		
XS060						D925		
XS061						D928		
XS062						D929		
XS079	XSTB-30120-ZY4	SCREW-TAPPING				D930		
XS080		BHT2T 3 × 12 FE-ZY				D931		
XS081						FL901	DPFL-00360-00Z	DISPLAY-FLUORESCENT CM1360D
XS082								
XS083	XSTB-30160-ZY4	SCREW-TAPPING						
XS084		BHT2T 3 × 16 FE-ZY				D901	DPLT-00011-VC5	DOT-LED SLR-54VC3 RED R5 N
XS085	XSTB-40080-ZB4	SCREW-TAPPING				D902		
XS086		BHT2T 4 × 8 FE-ZB				D905		
XS087						D906		
XS088						D908		
XS089						D909		
XS090						IC901	ICCM-20730-S10	CMOS-LSI LC866124A QIP80E
XS091						IC902	ICDG-00560-S00	IC MOTOR DRIVER BA6208 SIP9
XS092						IC202	ICDG-00610-S10	IC FUNCTION SELECTOR LC7822 DIP30S
XS093						IC206		
XS094	XSTB-40080-ZY4	SCREW-TAPPING				IC903	ICHY-00180-TL0	IC REMOTE RECEIVER KRM-65M
XS095		BHT2T 4 × 8 FE-ZY				IC201	ICOP-00131-SE0	IC DUAL OP AMP KA4558C DIP8
XS096						IC203		
XS097						IC204		
XS098						IC205		
XS099						CW903	KNCW-00240-CT9	CONNECTOR-WAFER 53014-12 2.0mm WHT
XS100								
XS101								
XS102								
XS103								

3. ASS'Y FRONT PCB

Ref. No.	Part No.	Description
C236	CCAT-J101K-AAB	CAPACITOR CERAMIC 100PF K 50V B T
C237		
C244		
C248		
C256		
C257		
C258		
C259		
C260		
C261		
C262		
C263		
C264		
C265		
C266		
C267		
C268		
C269		
C270		
C271		
C272		
C273		
C274		
C243		
C276		
C285		
C290		
C291		
C296		
C297		
C305		
C312		
C252	CEET-JR47M-C10	CAPACITOR E/ALUMINUM 0.47μF M 50V 5 × 11 T
C253		
C284	CEET-J1R0M-C10	CAPACITOR E/ALUMINUM 1.0μF M 50V 5 × 11 T
C304		
C908		
C292	CEET-J100M-C10	CAPACITOR E/ALUMINUM 10μF M 50V 5 × 11 T
C299		
C300		
C311		

Ref. No.	Part No.	Description
CW301	KNCW-00240-4T9	CONNECTOR-WAFER 53014-04 2.0mm WHT
CW601	KNCW-00260-8S9	CONNECTOR-WAFER 5268-08A 2.5mm WHT
CW501	KNCW-00690-CT9	CONNECTOR-WAFER BMW250-12 2.5mm 12P WHT
CW502		
CW101	KNCW-00690-7T9	CONNECTOR-WAFER BMW250-07 2.5mm 7P WHT
CW807	KNCW-00980-2S9	CONNECTOR-WAFER JE202-2T-2P
X901	KTAL-00101-003	CRYSTAL KDSIF 32.768KHz-20P
X902	KTRE-00210-120	RESONATOR CST12.0MTW-TF01
MJ100	MJAG-01320-003	GUIDE-FLT
NR1	NERX-J0078-473	NETWORK-RESISTOR EXB-F9E473J 47K x 8 9P 2.54
	PCSR-03060-11B	PCB-SINGLE A1R-306 330 x 247 x 1.6t
R941	RCFT-E1R0J-000	RESISTOR-CARBON FILM 1ohm 1/5W 5% T
R942		
R910	RCFT-E100J-000	RESISTOR-CARBON FILM 10ohm 1/5W 5% T
R921		
R905	RCFT-E101J-000	RESISTOR-CARBON FILM 100ohm 1/5W 5% T
R906		
R913		
R914		
R915		
R928		
R929		
R930		
R931		
R267	RCFT-E102J-000	RESISTOR-CARBON FILM 1Kohm 1/5W 5% T
R268		
R269		
R270		
R271		
R272		
R273		
R274		
R275		
R276		
R278		
R279		
R280		
R298		
R299		
R300		
R916		
R917		
R922		
R923		
R907	RCFT-E103J-000	RESISTOR-CARBON FILM 10Kohm 1/5W 5% T
R237	RCFT-E104J-000	RESISTOR-CARBON FILM 100Kohm 1/5W 5% T
R253		
R254		
R255		
R256		
R281		
R283		
R288		
R289		

R903		
R908		
R909		
R932		
R933		
R934		
R935		
R936		
R937		
R943		
R944		
R238	RCFT-E123J-000	RESISTOR-CARBON FILM 12Kohm 1/5W 5% T
R912		
R296	RCFT-E124J-000	RESISTOR-CARBON FILM 120Kohm 1/5W 5% T
R251	RCFT-E152J-000	RESISTOR-CARBON FILM 1.5Kohm 1/5W 5% T
R252		
R236	RCFT-E221J-000	RESISTOR-CARBON FILM 220ohm 1/5W 5% T
R247		
R248		
R282		
R287		
R264	RCFT-E224J-000	RESISTOR-CARBON FILM 220Kohm 1/5W 5% T
R266		
R303		
R901	RCFT-E271J-000	RESISTOR-CARBON FILM 270ohm 1/5W 5% T
R902		
R919		
R925		
R926		
R239	RCFT-E471J-000	RESISTOR-CARBON FILM 470ohm 1/5W 5% T
R240		
R242		
R245		
R246		
R263		
R265		
R277		
R286		
R290		
R292		
R293		
R297		
R301		
R920	RCFT-E472J-000	RESISTOR-CARBON FILM 4.7Kohm 1/5W 5% T
R243	RCFT-E473J-000	RESISTOR-CARBON FILM 47Kohm 1/5W 5% T
R249		
R250		
R258		
R261		
R291		
R241	RCFT-E563J-000	RESISTOR-CARBON FILM 56Kohm 1/5W 5% T
R244		
R284		
R285		
R294		
R295		
R257	RCFT-E564J-000	RESISTOR-CARBON FILM 560Kohm 1/5W 5% T
R260		
R918	RCFT-E750J-000	RESISTOR-CARBON FILM 75ohm 1/5W 5% T

Ref. No.	Part No.	Description
R259	RCFT-E821J-000	RESISTOR-CARBON FILM 820ohm 1/5W 5% T
R262		
R911	RCFT-E823J-000	RESISTOR-CARBON FILM 82Kohm 1/5W 5% T
ACOUT1	SKAO-00130-4CV	AC OUTLET
ACOUT2		
JK202	SKRC-00310-060	YKE31-0090 4.0PI 250V 2.5A SOCKET-RCA JK0600920N 6P
JK201	SKRC-00420-061	SOCKET-RCA JK0600460N
SW901	SWTA-00220-060	SWITCH-TACT SKHV10910(A) 12V 50mA
SW902		
SW903		
SW904		
SW905		
SW906		
SW907		
SW908		
SW909		
SW910		
SW911		
SW912		
SW913		
SW914		
SW915		
SW916		
SW917		
SW918		
SW919		
SW920		
SW921		
SW922		
SW923		
SW924		
SW925		
SW926		
SW927		
SW928		
SW929		
SW930		
SW931		
SW932		
TE601	TESP-00241-04S	TERMINAL SPEAKER SH041037CN(4P)
Q906	TRTA-0008Y-SD0	TRANSISTOR P-H FREQ KTA1266-Y TO92
Q909	TRTC-0016Y-SD0	TRANSISTOR N-H FREQ KTC3198-Y TO92
Q901	TRTC-0034Y-SOS	TRANSISTOR N-H FREQ DTC114Y-S TO92
Q902		
Q903		
Q904		
Q907		
Q908		
Q910		
Q905	TRTD-00200-SD0	TRANSISTOR N-L FREQ KTD-1302 TO92
CH903	UC08-2M830-168	WIRE-ASS'Y UL1007#28 RED-300 12P
CH901	UF08-5M750-168	WIRE-ASS'Y UL1007#26 GRN-500 15P

CH904	U208-1M708-168	WIRE-ASS'Y UL1007#26 BRN-80 2P
CH801	U408-3M660-168	WIRE-ASS'Y UL1007#24 ORG-600 4P
CH902	U408-3M710-168	WIRE-ASS'Y UL1007#26 ORG-100 4P
CH905	U408-3M735-168	WIRE-ASS'Y UL1007#26 ORG-350 4P
CH302	U408-80824-168	WIRE-ASS'Y UL1533#28 WHT-240 4P

4. ASS'Y MAIN PCB

Ref. No.	Part No.	Description
C805	* CACS-S472M-179	CAPACITOR AC DE7100F472M
C321	CCAT-J101K-AAB	CAPACITOR CERAMIC 100PF K 50V B T
C322		
C323		
C324		
C332		
C336		
C651		
C652		
C719		
C720		
C335	CCAT-J102K-AAB	CAPACITOR CERAMIC 1000PF K 50V B T
C338		
C701		
C711		
C326	CCAT-J104Z-AAF	CAPACITOR CERAMIC 0.1uF Z 50V F T
C482		
C333	CCAT-J330J-AAZ	CAPACITOR CERAMIC 33PF J 50V SL T
C337		
C357		
C365		
C602	CCAT-J391K-AAB	CAPACITOR CERAMIC 390PF K 50V B T
C616		
C481	CCAT-J561K-AAB	CAPACITOR CERAMIC 560PF K 50V B T
C483		
C817	CCCS-V103K-0NB	CAPACITOR CERAMIC 0.01uF K 500V B S
C822		
C610	CCCT-J102K-0BB	CAPACITOR CERAMIC 1000PF K 50V B T
C628		
C836	CCCT-J104Z-OFF	CAPACITOR CERAMIC 0.1uF Z 50V F T
C635	CCCT-J223Z-0DB	CAPACITOR CERAMIC 2200PF K 50V B T
C636		
C637		
C638		
C751		
C752		
C753		
C754		
C755		
C830		
C807	CCCT-J223Z-OFF	CAPACITOR CERAMIC 0.022uF Z 50V F T
C815		
C816		
C823		
C833		
C834		
C340	CCCT-J473Z-0JF	CAPACITOR CERAMIC 0.047uF Z 50V F T
C604		

Ref. No.	Part No.	Description	
C618			C631
C717	CCTT-J1R0C-0BZ	CAPACITOR CERAMIC	C633
C718		1PF C 50V SL T	C706
C369	CCTT-J101J-0CZ	CAPACITOR CERAMIC	C715
C370		100PF J 50V SL T	C707
C605			C714
C619			C831
C607	CCTT-J150J-0BZ	CAPACITOR CERAMIC	C835
C621		15PF J 50V SL T	C838
C611	CCTT-J221J-0DZ	CAPACITOR CERAMIC	C820
C612		220PF J 50V SL T	C821
C626			C810
C627			C811
C608	CCTT-J3R0C-0BZ	CAPACITOR CERAMIC	C812
C622		3PF C 50V SL T	C818
C351	CCTT-J471J-0FZ	CAPACITOR CERAMIC	C819
C352		470PF J 50V SL T	C826
C603			C827
C617			C359
C609	CCTT-J5R0C-0BZ	CAPACITOR CERAMIC	C367
C623		5PF C 50V SL T	C353
C829	CEEM-F681M-KN1	CAPACITOR E/ALUMINUM	C362
		680µF M 25V 13 × 20 U M	C354
C808	CEEM-G102M-KP1	CAPACITOR E/ALUMINUM	C361
C809		1000µF M 35V 13 × 25 U M	C613
C813	CEES-J332M-OS1	CAPACITOR E/ALUMINUM	C614
C814		3300µF M 50V 22 × 35 S	C624
C632	CEET-C471M-FI1	CAPACITOR E/ALUMINUM	C625
		470µF M 6.3V 8 × 11.5 U T	C630
C331	CEET-F470M-CI0	CAPACITOR E/ALUMINUM	C634
C344		47µF M 25V 5 × 11 T	C710
C356			C716
C363			C360
D606			C368
C620			D807
C703			D808
C713			D809
C325	CEETG330M-CI0	CAPACITOR E/ALUMINUM	D810
		33µF M 35V 5 × 11 T	D611
C803	CEET-G331M-HL1	CAPACITOR E/ALUMINUM	D751
		330µF M 35V 10 × 16 U T	D801
C708	CEET-JR10M-CI0	CAPACITOR E/ALUMINUM	D802
		0.1µF M 50V 5 × 11 T	D803
C801	CEET-J1R0M-CI0	CAPACITOR E/ALUMINUM	D804
C802		1.0µF M 50V 5 × 11 T	D805
C804			D806
C828			D811
C334	CEET-J100M-CI0	CAPACITOR E/ALUMINUM	D817
C339		10µF M 50V 5 × 11 T	D818
C355			D819
C358			D821
C364			D822
C366			D601
C705			D603
C709			D604
C832	CEET-J101M-FI0	CAPACITOR E/ALUMINUM	D605
		100µF M 50V 8 × 11.5 T	D606
C702	CEET-J2R2M-CI0	CAPACITOR E/ALUMINUM	D608
C712		2.2µF M 50V 5 × 11 T	D609
C342	CEET-J4R7M-CI0	CAPACITOR E/ALUMINUM	D610
C343		4.7µF M 50V 5 × 11 T	D701
C601			D702
C615			
C629			

Ref. No.	Part No.	Description
D703		
D704		
D705		
D706		
D823		
D824		
D825		
D826		
D827		
D828		
D829		
D813	DDTZ-G062B-S00	DIODE ZENER
		MTZ6.2B 5.96-6.27 DO40 T
D602	DDTZ-G120B-S00	DIODE ZENER
D607		MTZ12B 11.44-12.03 DO40 T
D814	DDTZ-G150C-S00	DIODE ZENER
		MTZ15C 14.35-15.09 DO40 T
D820	DDTZ-G180C-S00	DIODE ZENER
		MTZ18C 17.42-18.33 DO40 T
D812	DD4B-00210-TX0	DIODE-BRIDGE
		BUB-02 200V 8A BRIDGE
D301	DPLT-00011-VC5	DOT-LED
		SLR-54VC3 RED R5 N
RL801	ESRY-00110-121	RELAY
		JW1AFSN DC 12V
RL803	ESRY-00150-121	RELAY
		RD 2N-1U-12V DC
RL601	ESRY-00170-24K	RELAY
RL701		HR-CR323 DC24V (GH)
RL802	ESRY-00180-24K	RELAY
		HR-CR321 DC24V
IC701	ICHHP-00100-S10	IC HYBRID AMP-POWER
		STK4192 1 50W × 2 SIP18
IC301	ICOP-00130-SE0	IC DUAL OP AMP
		KA4558S SIP9
IC302	ICOP-00131-SE0	IC DUAL OP AMP
		KA4558C DIP8
IC802	ICRG-00061-SE0	IC REGULATOR
		KA7815 15V 3mm TO-220
IC801	ICRG-00091-SE0	IC REGULATOR
IC804		KA7806 6V 3mm TO-220
IC803	ICRG-00251-SE0	IC REGULATOR
		KA7915 15V 3mm TO-220
L601	KIBK-00050-E40	COIL-AUDIO CHOCK
L602		ABK005 2.2µH
L701		
L702		
CW802	KNCW-00140-3TM	CONNECTOR-WAFER
		5267-03A 2.5mm MILK
CW309	KNCW-00140-4TM	CONNECTOR-WAFER
CW801		5267-04A 2.5mm MILK
CW904	KNCW-00160-2S9	CONNECTOR-WAFER
		53015-0210 2mm WHT
CW901	KNCW-00240-FT9	CONNECTOR-WAFER
		53014-15 2.0mm WHT
CW307	KNCW-00240-2T9	CONNECTOR-WAFER
		53014-02 2.0mm WHT
CW304	KNCW-00240-3T9	CONNECTOR-WAFER
		53014-03 2.0mm WHT

CW902	KNCW-00240-4T9	CONNECTOR-WAFER
		53014-04 2.0mm WHT
CW602	KNCW-00240-5T9	CONNECTOR-WAFER
		53014-05 2.0mm WHT
CW306	KNCW-00240-6T9	CONNECTOR-WAFER
		53014-06 2.0mm WHT
CW701	KNCW-00240-8T9	CONNECTOR-WAFER
		53014-08 2.0mm WHT
CW305	KNCW-00240-9T9	CONNECTOR-WAFER
		53014-09 2.0mm WHT
CW803	KNCW-00970-3T9	CONNECTOR-WAFER
		JE202-1T-3P
CW804	KNCW-00970-5T9	CONNECTOR-WAFER
		JE202-1T-5P
CW805	KNCW-00990-2T9	CONNECTOR-WAFER
		JE202A-1T-02
CW806	LUBA-24141-110	WIRE-ASS'Y
		UL1007#24 BLK-140
	LUBA-24121-110	WIRE-ASS'Y
		UL1007#24 BLK-110
	UITI-01606-Z24	WIRE-ASS'Y
		UL1007#24 BLK-60 3.2R-T
	UITI-01720-T20	WIRE-ASS'Y
		UL1007#26 BLK-200 3.2R-T
ME103	MEAC-08215-004	RADIATOR-TR
ME104		
ME105		
ME101	MEAC-12693-004	HEAT-SINK(TR)
FH801	MPAC-11620-004	FUSE CLIP
FH802		5.2Pi TAPPING TYPE
FH803		
FH804		
FH805		
FH806		
FH807		
FH808		
FH809		
FH810		
FH811		
FH812		
MP100	MPAC-13380-004	SHIELD-JACK
MP101	MPAC-13390-004	SHIELD-TR
	PCSR-03070-11B	PCB-SINGLE
		A1R-307 330 × 247 × 1.6t
	* PTAD-02380-Y1V	TRANSFORMER-POWER
		A41-238Y-V 230V/50Hz
R658	RCFT-E100J-000	RESISTOR-CARBON FILM
R703		10ohm 1/5W 5% T
R754		
R806		
R704	RCFT-E101J-000	RESISTOR-CARBON FILM
		100ohm 1/5W 5% T
R321	RCFT-E102J-000	RESISTOR-CARBON FILM
R322		1Kohm 1/5W 5% T
R603		
R605		
R608		
R619		
R620		
R621		
R625		
R629		
R657		
R701		
R721		

Ref. No.	Part No.	Description	Ref. No.	Part No.	Description	Ref. No.	Part No.	Description	Ref. No.	Part No.	Description
R751			R624			Q630	TRTC-0016G-SD0	TRANSISTOR N-H FREQ			
R807			R630			Q751		KTC3198-GR T092			
R813			R638			Q801					
R951			R337	RCFT-E222J-000	RESISTOR-CARBON FILM	Q802					
R952			R338		2.2Kohm 1/5W 5% T	Q804					
R955			R339			Q604	TRTC-0016Y-SD0	TRANSISTOR N-H FREQ			
R957			R340			Q612		KTC3198-Y T092			
R958			R359			Q619					
R606	RCFT-E103J-000	RESISTOR-CARBON FILM	R369			Q627					
R607		10Kohm 1/5W 5% T	R645			Q628					
R610			R357	RCFT-E223J-000	RESISTOR-CARBON FILM	Q629					
R626			R366		22Kohm 1/5W 5% T	Q701					
R627			R640			Q702					
R628			R648			Q606	TRTC-00710-SD0	TRANSISTOR N-H FREQ			
R647			R651			Q607		KTC4370-O TO-220IS			
R650			R753			Q622					
R811			R613	RCFT-E272J-000	RESISTOR-CARBON FILM	Q624					
R335	RCFT-E104J-000	RESISTOR-CARBON FILM	R633		2.7Kohm 1/5W 5% T	Q609	TRTC-0087Y-SD0	TRANSISTOR N-H FREQ			
R336		100Kohm 1/5w 5% T	R724	RCFT-E391J-000	RESISTOR-CARBON FILM	Q621		KTC3206-Y TO92L			
R341			R812		390ohm 1/5W 5% T	Q608	TRTC-0130Y-SJ0	TRANSISTOR N-H FREQ			
R342			R814			Q626		2SC4468-Y TO3P			
R351			R361	RCFT-E392J-000	RESISTOR-CARBON FILM	Q613	TRTD-00200-SD0	TRANSISTOR N-L FREQ			
R353			R367		3.9Kohm 1/5W 5% T	Q614		KTD-1302 TO92			
R355			R331	RCFT-E471J-000	RESISTOR-CARBON FILM	CH301	UM08-40357-008	WIRE-ASS'Y			
R362			R332		470ohm 1/5W 5% T			2547#28 1007#28-200			
R363			R354			CH807	UM48-30359-008	WIRE-ASS'Y			
R370			R364					1617#22 x 2 BLK/WHT-140			
R649			R642	RCFT-E472J-000	RESISTOR-CARBON FILM	CH906	U208-1M855-168	WIRE-ASS'Y			
R356	RCFT-E105J-000	RESISTOR-CARBON FILM	R654		4.7Kohm 1/5W 5% T			UL1007#28 BRN-550 2P			
R365		1Mohm 1/5W 5% T	R646	RCFT-E473J-000	RESISTOR-CARBON FILM	CH308	U208-9K814-168	WIRE-ASS'Y			
R614	RCFT-E122J-000	RESISTOR-CARBON FILM	R752		47Kohm 1/5W 5% T			UL20080#28 WHT-140 2P			
R634		1.2Kohm 1/5W 5% T	R352	RCFT-E561J-000	RESISTOR-CARBON FILM	CH304	U308-8S835-168	WIRE-ASS'Y			
R755			R360		560ohm 1/5W 5% T			UL2547#28 RED-350 3P			
R716	RCFT-E123J-000	RESISTOR-CARBON FILM	R706			CH303	U408-3M718-168	WIRE-ASS'Y			
R736		12Kohm 1/5W 5% T	R611	RCFT-E562J-000	RESISTOR-CARBON FILM	CH309	U410-80830-208	WIRE-ASS'Y			
R707	RCFT-E151J-000	RESISTOR-CARBON FILM	R631		5.6Kohm 1/5W 5% T			UL1533#28 WHT-300 4P			
R732		150ohm 1/5W 5% T	R612	RCFT-E563J-000	RESISTOR-CARBON FILM	CH602	U508-4M740-168	WIRE-ASS'Y			
R358	RCFT-E152J-000	RESISTOR-CARBON FILM	R632		56Kohm 1/5W 5% T			UL1007#26 YEL-400 5P			
R368		1.5Kohm 1/5W 5% T	R702			CH308	U808-7M640-168	WIRE-ASS'Y			
R481			R705					UL1007#24 VIO-140 8P			
R482			R722			CH801	U810-7M610-208	WIRE-ASS'Y			
R639	RCFT-E153J-000	RESISTOR-CARBON FILM	R723					UL1007#24 VIO-100 8P			
R653		15Kohm 1/5W 5% T	R616	RCFT-E680J-000	RESISTOR-CARBON FILM	CH305	U908-8M816-168	WIRE-ASS'Y			
R715			R617		68ohm 1/5W 5% T			UL1007#26 GRY-160 9P			
R733			R636			VR304	VRAE-M037W-104	VR-ROTARY			
R641	RCFT-E181J-000	RESISTOR-CARBON FILM	R637					RK11K116205 (14W)-100KC			
R652		180ohm 1/5W 5% T	R604	RCFT-E683J-000	RESISTOR-CARBON FILM	VR302	VRBE-M036C-104	VR-ROTARY			
R615	RCFT-E203J-000	RESISTOR-CARBON FILM	R622		68Kohm 1/5W 5% T	VR303		RK14K1260205 (14C) 100KC x2			
R635		20Kohm 1/5W 5% T	R663	RCFT-E7R5J-000	RESISTOR-CARBON FILM	VR301	VWDD-E002B-503	VR-W/MOTOR			
R717	RCFT-E220J-000	RESISTOR-CARBON FILM			7.5ohm 1/5W 5% T			EUZ-MR4F20B54			
R718		22ohm 1/5W 5% T	R323	RCFT-E750J-000	RESISTOR-CARBON FILM						
R734					75ohm 1/5W 5% T						
R735			R956	RCFT-E820J-000	RESISTOR-CARBON FILM						
R333	RCFT-E221J-000	RESISTOR-CARBON FILM			82ohm 1/5W 5% T						
R334		220ohm 1/5W 5% T	R809	RCFT-E821J-000	RESISTOR-CARBON FILM						
R343					820ohm 1/5W 5% T						
R344			R719	RCFT-F220J-000	RESISTOR-CARBON FILM						
R601			R720		22ohm 1/4W 5% T						
R602			R737								
R609			R738								
R618			R713	RCFT-F222J-010	RESISTOR-CARBON FILM						
R623			R714		2.2Kohm 1/4W 5% T						
			R729								
			R730								

5. ASS'Y TUNER PCB

Ref. No.	Part No.	Description
CF106	BTBP-00011-BPM	FILTER-MICA PRINT BPM66A 88-108MHZ
CF101	BTCE-00152-107	FILTER-CERAMIC
CF102		SFE 10.7MJA10H-A FTZ
CF103	BTCE-00440-045	FILTER-CERAMIC
		ACFM3-450BL
CF104	BTCE-00270-004	FILTER-CERAMIC
		BFU450C4N

Ref. No.	Part No.	Description
CF105	BTCE-00310-004	FILTER-CERAMIC CSB456F11
C584	CCAT-E222M-AAV	CAPACITOR CERAMIC 2200PF M 16V Y5R T
C585		
C160	CCAT-J101K-AAB	CAPACITOR CERAMIC 100PF K 50V B T
C161		
C162		
C533		
C534		
C535		
C564		
C558	CCAT-J102K-AAB	CAPACITOR CERAMIC 1000PF K 50V B T
C561		
C563		
C566		
C152	CCAT-F1032-AAF	CAPACITOR CERAMIC 0.01 μ F Z 25V F T
C439	CCAT-J104Z-AAF	CAPACITOR CERAMIC 0.1 μ F Z 50V F T
C559	CCAT-J221K-AAB	CAPACITOR CERAMIC 220PF K 50V B T
C120	CCCT-J102K-0BB	CAPACITOR CERAMIC 1000PF K 50V B T
C158		
C103	CCCT-J103Z-0DF	CAPACITOR CERAMIC 0.01 μ F Z 50V F T
C105		
C109		
C141		
C144		
C145		
C406		
C407		
C587	CCCT-J104Z-OFF	CAPACITOR CERAMIC 0.1 μ F Z 50V F T
C588		
C540	CCCT-J222K-0DB	CAPACITOR CERAMIC 2200PF K 50V B T
C101	CCCT-J223Z-OFF	CAPACITOR CERAMIC 0.022 μ F Z 50V F T
C108		
C114		
C115		
C135		
C136		
C138		
C139		
C140		
C142		
C143		
C150		
C154		
C159		
C543		
C104	CCCT-J473Z-0JF	CAPACITOR CERAMIC 0.047 μ F Z 50V F T
C107		
C118		
C542		
C404	CCTT-J1R0C-0BZ	CAPACITOR CERAMIC 1PF C 50V SL T
C405		
C119	CCTT-J101J-0CZ	CAPACITOR CERAMIC 100PF J 50V SL T
C432		
C434		
C436		
C438		

C147	CCTT-J151J-0DZ	CAPACITOR CERAMIC 150PF J 50V SL T
C146	CCTT-J220J-0BZ	CAPACITOR CERAMIC 22PF J 50V SL T
C435	CCTT-J221J-0DZ	CAPACITOR CERAMIC 220PF J 50V SL T
C437		
C431	CCTT-J331J-0FZ	CAPACITOR CERAMIC 330PF J 50V SL T
C433		
C124	CCTT-J471J-0FZ	CAPACITOR CERAMIC 470PF J 50V SL T
C126		
C137	CCTT-J820J-0BZ	CAPACITOR CERAMIC 82PF J 50V SL T
C155	CCTT-J300J-0BZ	CAPACITOR CERAMIC 30PF J 50V SL T
C156		
C402	CEET-C471M-F11	CAPACITOR E/ALUMINUM 470 μ F M 6.3V 8 \times 11.5 U T
C403		
C408	CEET-D101M-C10	CAPACITOR E/ALUMINUM 100 μ F M 10V 5 \times 11 T
C409		
C582	CEET-D221M-D10	CAPACITOR E/ALUMINUM 220 μ F M 10V 6.3 \times 11 T
C121	CEET-E101M-D10	CAPACITOR E/ALUMINUM 100 μ F M 16V 6.3 \times 11 T
C545		
C503	CEET-E221M-F10	CAPACITOR E/ALUMINUM 220 μ F M 16V 8 \times 11.5 T
C508		
C541		
C548		
C553		
C117	CEET-F470M-C10	CAPACITOR E/ALUMINUM 47 μ F M 25V 5 \times 11 T
C153		
C157		
C183		
C185		
C527		
C546		
C557		
C562		
C568		
C570		
C589		
C401	CEET-G330M-C10	CAPACITOR E/ALUMINUM 33 μ F M 35V 5 \times 11 T
C128	CEET-JR47M-C10	CAPACITOR E/ALUMINUM 0.47 μ F M 50V 5 \times 11 T
C129		
C511		
C513		
C522		
C524		
C528		
C116	CEET-J1R0M-C10	CAPACITOR E/ALUMINUM 1.0 μ F M 50V 5 \times 11 T
C151		
C530		
C549		
C555		
C572		
C575		
C583		
C102	CEET-J100M-C10	CAPACITOR E/ALUMINUM 10 μ F M 50V 5 \times 11 T
C106		
C122		
C130		
C132		
C133		
C163		

Ref. No.	Part No.	Description
C165		
C504		
C505		
C506		
C507		
C544		
C125	CEET-J2R2M-C10	CAPACITOR E/ALUMINUM 2.2 μ F M 50V 5 \times 11 T
C127		
C529		
C531		
C536		
C547		
C554		
C516	CEET-J3R3M-C10	CAPACITOR E/ALUMINUM 3.3 μ F M 50V 5 \times 11 T
C519		
C111	CEET-J4R7M-C10	CAPACITOR E/ALUMINUM 4.7 μ F M 50V 5 \times 11 T
C112		
C113		
C131		
C178		
C179		
C512		
C514		
C521		
C523		
C556		
C560		
C565		
C567		
C569		
C574		
C571	CEET-J470M-D10	CAPACITOR E/ALUMINUM 47 μ F M 50V 6.3 \times 11 T
C110	CEET-J6R8M-C10	CAPACITOR E/ALUMINUM 6.8 μ F M 50V 5 \times 11 T
C515	CFMS-N154J-JN0	CAPACITOR F/POLYESTR 0.15 μ F J 100V 12.2 \times 19 S
C517		
C518		
C520		
C539	CFMT-N103J-DE0	CAPACITOR F/POLYESTR 0.01 μ F J 100V 6 \times 7 T
C509	CFMT-N104J-JK0	CAPACITOR F/POLYESTR 0.10 μ F J 100V 12.1 \times 14 T
C510		
C525		
C526		
C551	CFMT-N152J-CJ0	CAPACITOR F/POLYESTR 0.0015 μ F J 100V 5.4 \times 12 T
C201	CFMT-N153J-EK0	CAPACITOR F/POLYESTR 0.015 μ F J 100V 7.1 \times 13 T
C501	CFMT-N223J-EK0	CAPACITOR F/POLYESTR 0.022 μ F J 100V 7.4 \times 13 T
C202	CFMT-N333J-FK0	CAPACITOR F/POLYESTR 0.033 μ F J 100V 8.1 \times 13 T
C550		
C552		
C123	CFMT-N473J-GK0	CAPACITOR F/POLYESTR 0.047 μ F J 100V 8.9 \times 13 T
C502		
C149	CFST-0221J-CT0	CAPACITOR F/STYROL 220PF J 125V 5.5 \times 12 T
C148	CFST-0471J-CJ0	CAPACITOR F/STYROL 470PF J 125V 5.5 \times 12 T
C134	CFST-0561J-CJ0	CAPACITOR F/STYROL 560PF J 125V 5.5 \times 12 T

C532	CFST-0681J-CJ0	CAPACITOR F/STYROL 680PF J 125V 5.5 \times 12 T
VD101	DDSV-0003B-S30	DIODE-VVC 1S1V49B AM 8V DIP2 S
VD102		
VD103		
VD104		
D103	DDTS-00060-S00	DIODE-SI 1SS131 (90V 0.13A) DO-40 T
D104		
D105		
D106		
D107		
D109		
D502		
D503		
D504		
D505		
D506		
D507		
D509		
D510		
D501	DDTZ-G100B-S00	DIODE ZENER MTZ10B 9.41-9.90 DO40 T
D113	DDTZ-G130B-S00	DIODE ZENER MTZ13B 12.55-13.21 DO40 T
IC401	ICCM-00060-SQ0	IC QUAD SWITCH GD4066B DIP14
IC103	ICCM-20380-S10	IC PLL LC7218 DIP24S
IC502	ICCM-20740-S10	CMOS LSI LV1010N DIP24S
IC501	ICDG-01140-S10	D.P.L. RECORDER LA2785 DIP42S
IC102	ICLN-00190-S10	IC FM MPX LA3410 DIP16
IC101	ICLN-01630-S10	IC AM/FM IF LA1267 DIP24
IC503	ICOP-00130-SE0	IC DUAL OP AMP KA4558S SIP9
IC504		
IC505		
T106	IFFA-00110-E20	IFT-FM AFA011 7mm-CAN
T107	IFFD-00100-E20	IFT-FM DET AFD010 7mm-CAN
T105	IFAA-00250-E20	COIL-AM IFT AAA-025
T103	KIAO-00240-E20	COIL-AM OSC AA0024 MW 7mm-CAN
T104	KIAO-00250-E20	COIL-AM OSC AA0025 LW 7mm-CAN
T102	KIAT-00301-E20	COIL-AM ANT AAT030-1 LW 10mm-CAN
T101	KIAT-00351-E20	COIL-AM ANT AAT035-1 MW 10mm-CAN
L101	KIFK-00050-E40	COIL-FM CHOKE AFK-005 2.2 μ H K
T109	KIML-00020-E20	COIL FM MPX FILTER AMA002 19KHz 7mm-CAN
T110		
T108	KIML-A0020-E20	COIL-FM MPX FILTER AFL002 114KHz 7mm-CAN
L501	KIOT-3101K-002	COIL-INDUCTOR 100 μ H K LA 30 T L 04
L102	KIOT-4101K-003	COIL-INDUCTOR 100 μ H K LA 40 T L 02

Revision RC-512

Ref. No.	Part No.	Description
CH306	UM08-60358-008	WIRE ASS'Y 1007#26 × 2, 1533#28 × 2-300
TC101	VCTC-00022-300	TRIMMER
TC102		CVCN06C300
VR103	VFEB-A001B-204	RESISTOR-SEMI FIXED EVN DXA A03 B25 200Kohm
VR502	VFEB-A001B-222	RESISTOR-SEMI FIXED EVN DXA A03 BE3 2.2Kohm
VR102	VFEB-A001B-223	RESISTOR-SEMI FIXED EVN DXA A03 BE4 22Kohm
VR101	VFEB-A001B-472	RESISTOR-SEMI FIXED EVN DXA A03 BQ3 4.7Kohm

6. ASS'Y SUB

Ref. No.	Part No.	Description
1	ZBNG-00400-02L	BOND-ADHESIVE SC-306
2	ZBNG-00700-4ZL	BOND-ADHESIVE #575
3	ZBNG-01300-5ZL	LOCKER-SCREW #1401B
4	ZGSI-01000-9PN	GREASE-SILICON G-746
5	ZSBR-00010-060	SOLDER-BAR SN60
6	ZSWR-00010-F60	SOLDER-WIRE D1.0 SN60
7	ZTOP-00701-50C	TAPE-OPP
8	ZTPR-00900-A5C	TAPE-PROTECTOR #532 150 × 200mm
9	ZTWF-01200-039	TAPE-DOUBLE FACE TESA 4968 W = 3.0 t = 0.32
10	ZZFX-00010-000	FLUX ROSIN 28
11	ZZTH-00010-000	DILUENT ROSIN
12	ZUVO-82001-151	TUBE-INSULATION R8.25U.C BLK-15

7. CORD-AC ASS'Y

Ref. No.	Part No.	Description
1	KDAC-0230F-6N8	CORD-AC KKP419C KLCE-2F 075 CE
2	KNCH-00360-3T9	CONNECTOR-HOUSING YH396-03V 3.96mm 3P
3	KNCT-00020-1TS	CONNECTOR-TERMINAL YT396 1P

8. ASS'Y PRINT

Ref. No.	Part No.	Description
1	YLAR-E1005-06B	LABEL-B SET LABEL (FUSE)

[REMOTE CONTROL] A2RA-F2000-01Z

1. ASS'Y MAIN PCB

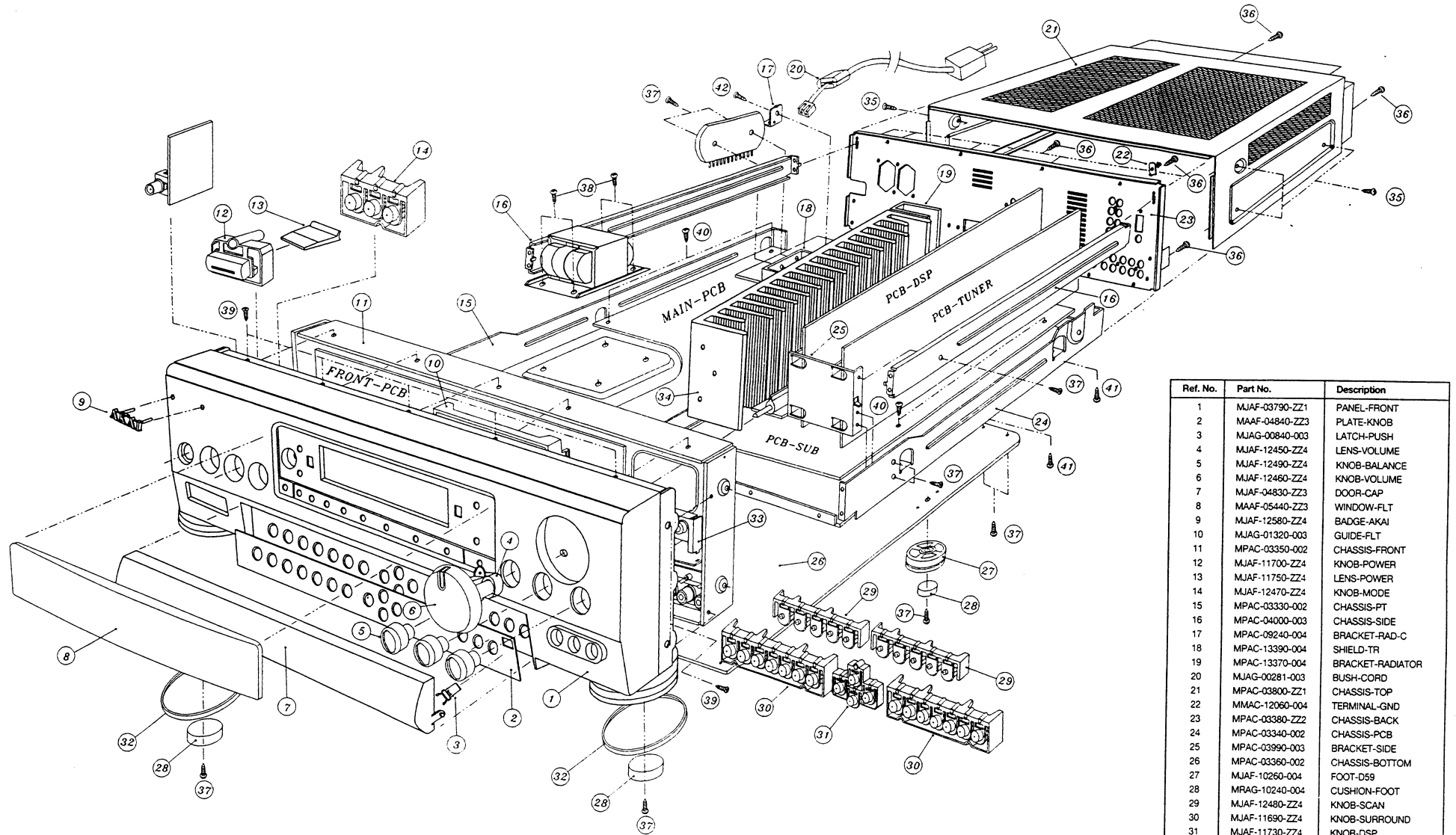
Ref. No.	Part No.	Description
1	CEET-C470M-CE0	CAPACITOR E/ALUMINUM 47.μF M 6.3V 5 × 7 T
2	DPIR-00021-005	DOT-IR-LED KLN105B-B
3	ICMP-01290-S00	IC UCOMPUTER BU2478-36
4	KTRE-00271-004	RESONATOR ZTB455ET2 L-TYPE
5	MMAC-11071-004	ASS'Y-BATTERY
6	MPAC-09360-004	TERMINAL-CHARGE + -
7	PCSE-02220-41B	PCB-SINGLE A4E-222
8	RCFT-E2R2J-000	RESISTOR-CARBON FILM 2.2ohm 1/5W 5% T
9	RCFT-E224J-000	RESISTOR-CARBON FILM 220Kohm 1/5W 5% T
10	TRTC-0016G-SD0	TRANSISTOR N-H FREQ KTC3198-GR TO92

2. ASS'Y MECHANISM

Ref. No.	Part No.	Description
MJ001	MJAF-01340-ZZ2	COVER-UPPER
MJ002	MJAF-01350-ZZ2	COVER-BOTTOM
MJ003	MJAF-02860-ZZ3	COVER-BATTERY
ML001	MLAC-09372-ZZ4	PLATE-NAME
MM001	MMAC-11060-004	BATTERY-SPRING
MR001	MRAF-01362-ZZ2	PAD-KEY
XS001	XSTP-25060-ZY4	SCREW-TAPPING PHTZT 2.5 × 6 FE-ZY
YS001	YSAP-09860-004	CUSHION-BATTERY
YV001	YVAP-09640-004	POLY-BAG
	BAMN-AAM00-150	BATTERY MANGANESE R6P 1.5V 14.5 × 50.5

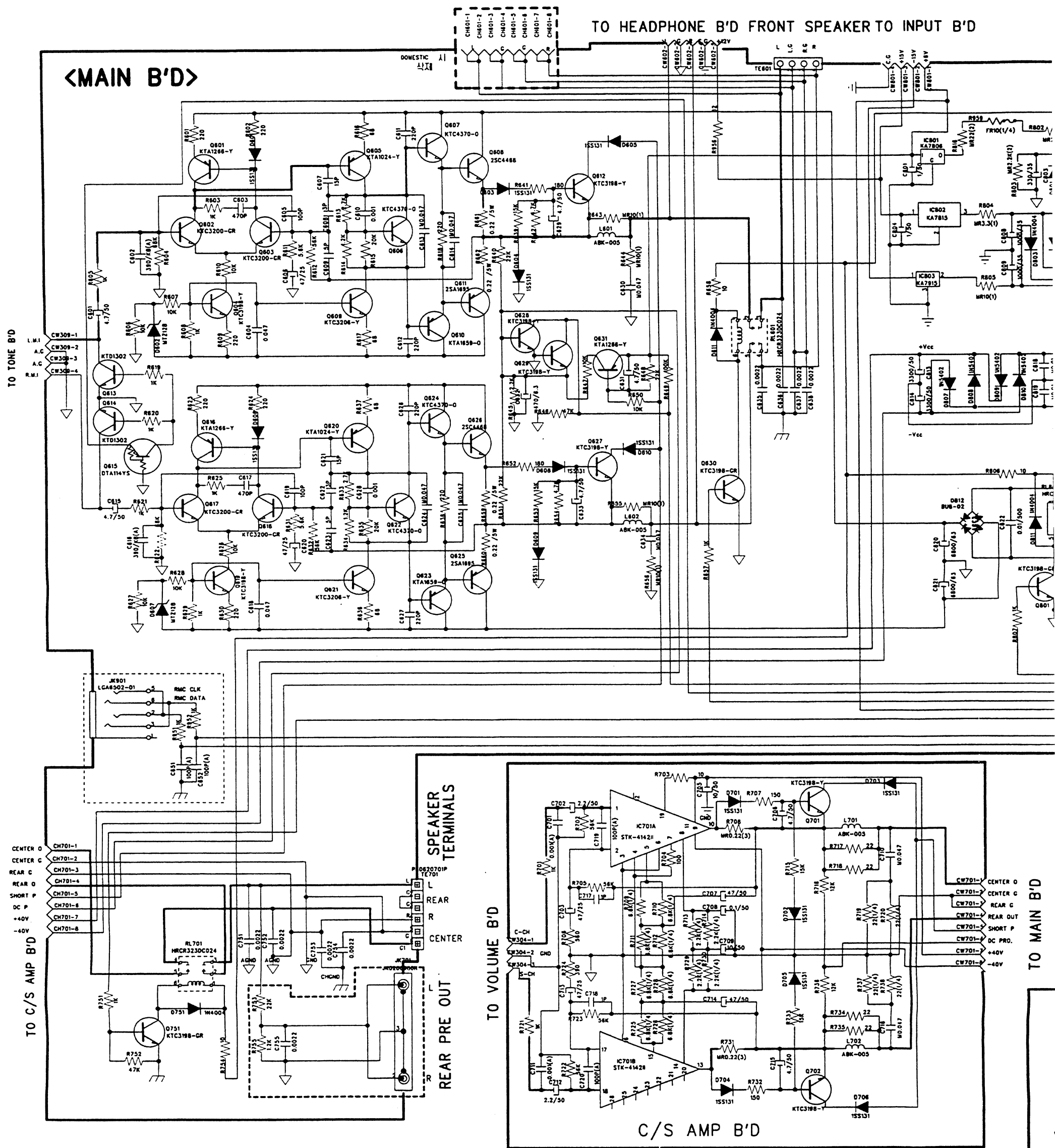
EXPLODED VIEW

9. AMP FINAL ASSEMBLY

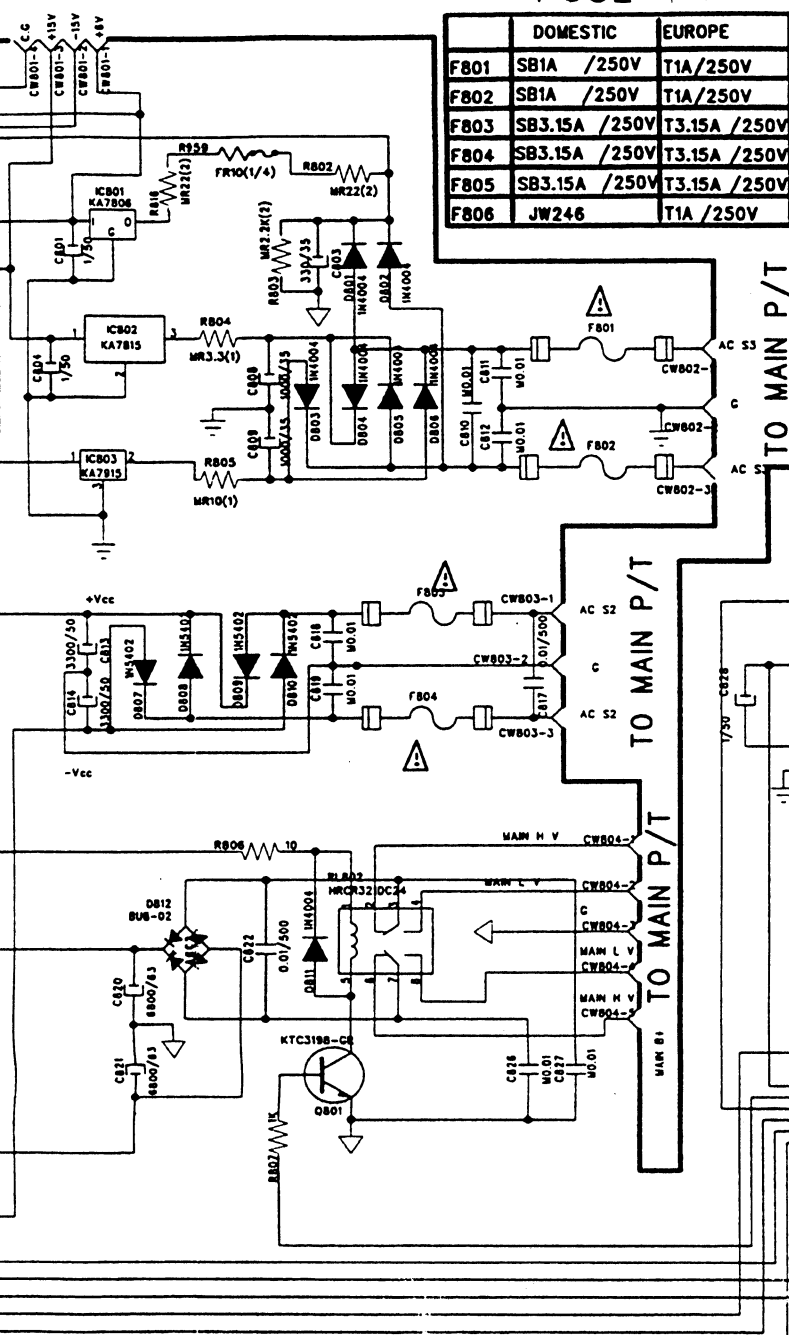


Ref. No.	Part No.	Description
1	MJAF-03790-ZZ1	PANEL-FRONT
2	MAAF-04840-ZZ3	PLATE-KNOB
3	MJAF-00840-003	LATCH-PUSH
4	MJAF-12450-ZZ4	LENS-VOLUME
5	MJAF-12490-ZZ4	KNOB-BALANCE
6	MJAF-12460-ZZ4	KNOB-VOLUME
7	MJAF-04830-ZZ3	DOOR-CAP
8	MAAF-05440-ZZ3	WINDOW-FLT
9	MJAF-12580-ZZ4	BADGE-AKAI
10	MJAG-01320-003	GUIDE-FLT
11	MPAC-03350-002	CHASSIS-FRONT
12	MJAF-11700-ZZ4	KNOB-POWER
13	MJAF-11750-ZZ4	LENS-POWER
14	MJAF-12470-ZZ4	KNOB-MODE
15	MPAC-03330-002	CHASSIS-PT
16	MPAC-04000-003	CHASSIS-SIDE
17	MPAC-09240-004	BRACKET-RAD-C
18	MPAC-13390-004	SHIELD-TR
19	MPAC-13370-004	BRACKET-RADIATOR
20	MJAG-00281-003	BUSH-CORD
21	MPAC-03800-ZZ1	CHASSIS-TOP
22	MMAC-12060-004	TERMINAL-GND
23	MPAC-03380-ZZ2	CHASSIS-BACK
24	MPAC-03340-002	CHASSIS-PCB
25	MPAC-03990-003	BRACKET-SIDE
26	MPAC-03360-002	CHASSIS-BOTTOM
27	MJAF-10260-004	FOOT-D59
28	MRAG-10240-004	CUSHION-FOOT
29	MJAF-12480-ZZ4	KNOB-SCAN
30	MJAF-11690-ZZ4	KNOB-SURROUND
31	MJAF-11730-ZZ4	KNOB-DSP
32	MMAC-13040-ZZ4	RING-FOOT
33	MPAC-13380-004	SHIELD-JACK
34	MEAC-03320-002	RADIATOR-MAIN
35	XSTB-40080-ZB4	SCREW-TAPPING
36	XSTB-30120-ZB4	SCREW-TAPPING
37	XSTB-30100-ZY4	SCREW-TAPPING
38	XSTB-40080-ZY4	SCREW-TAPPING
39	XSTB-30080-ZY4	SCREW-TAPPING
40	XSTS-30080-ZY4	SCREW-TAPPING
41	XSTB-30120-ZY4	SCREW-TAPPING
42	XSTB-30160-ZY4	SCREW-TAPPING

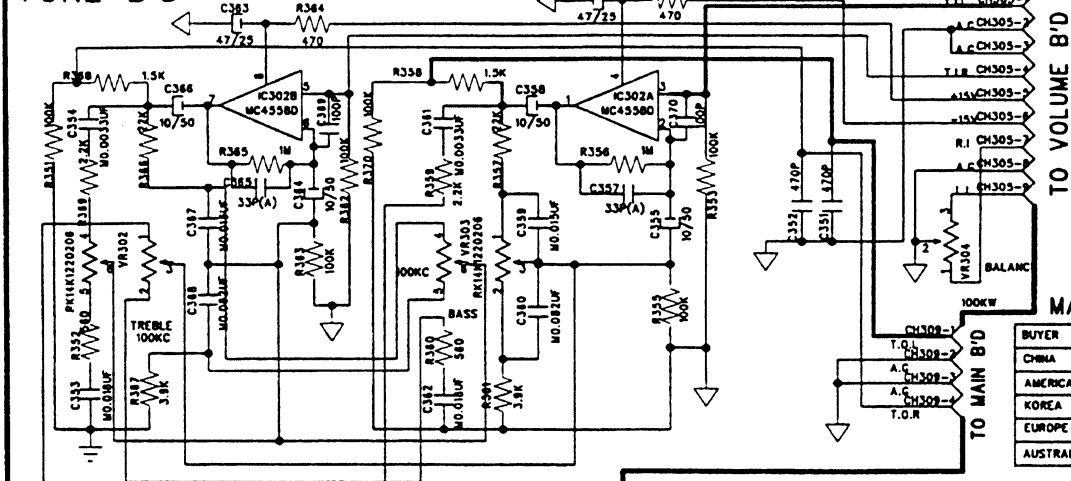
VII. SCHEMATIC DIAGRAM/MAIN



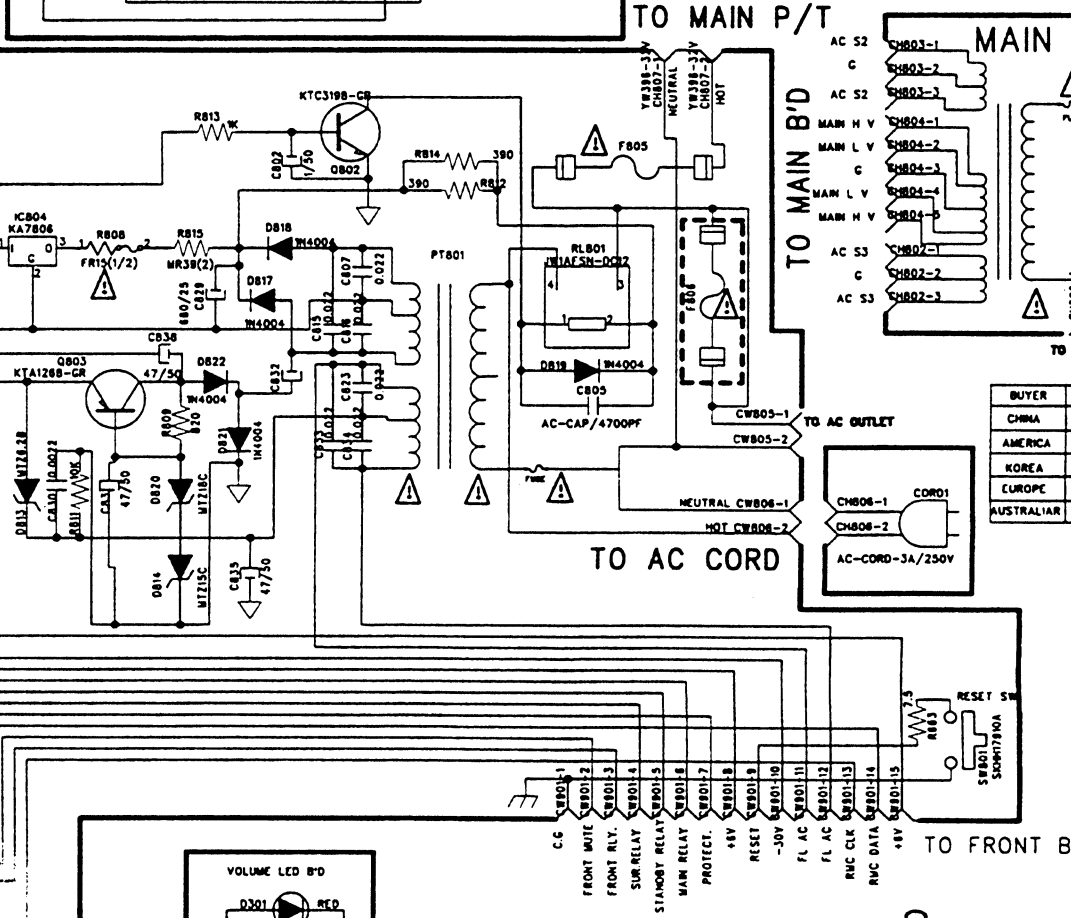
TO INPUT B'D



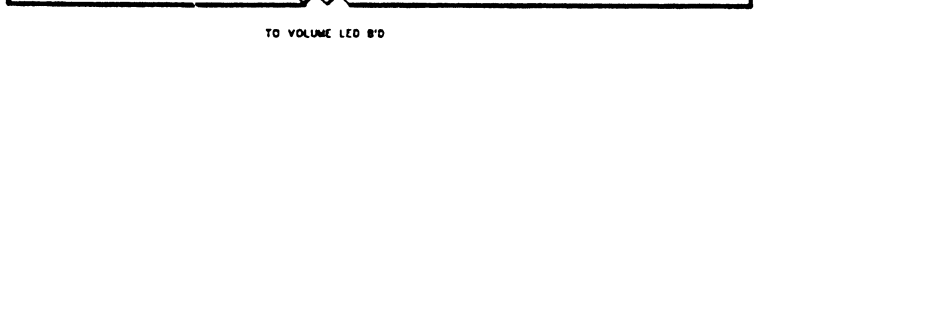
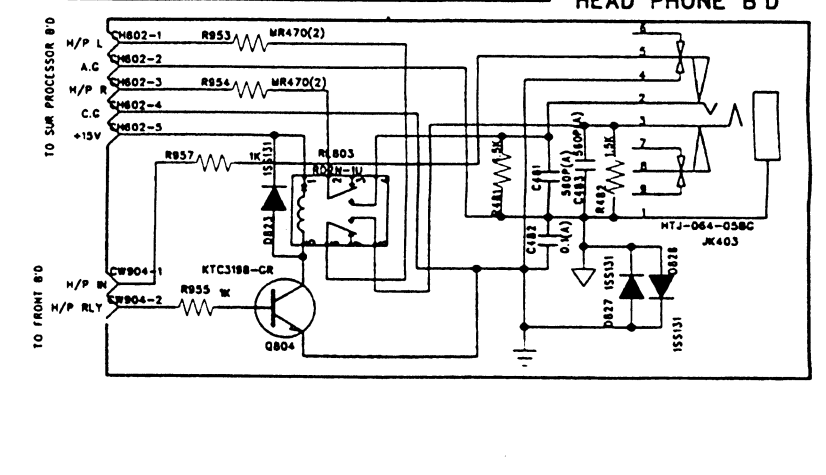
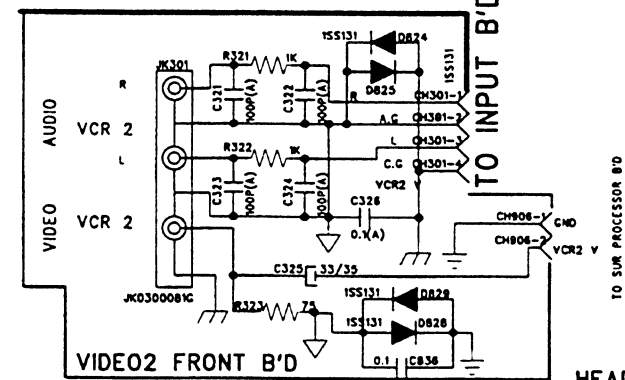
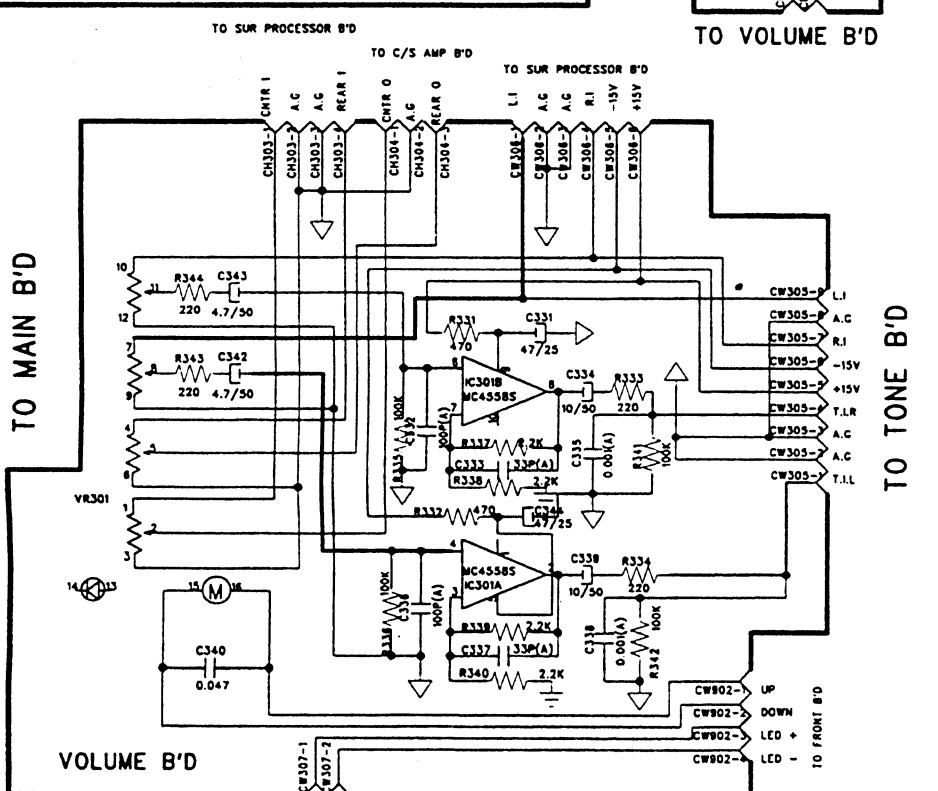
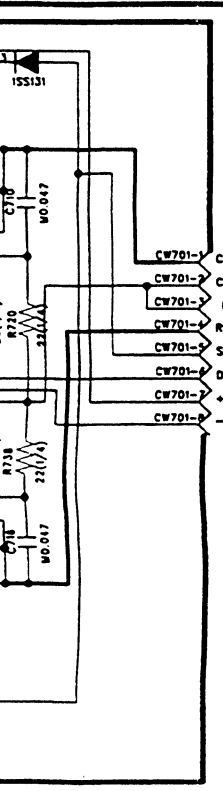
TONE B'D



BUYER	VOLTAGE	P/T NO
CHINA	110V/60Hz	A96-245B-C
AMERICA	120V/60Hz	A96-245C-L
KOREA	220V/60Hz	A96-245X-H
EUROPE	230V/50Hz	A96-245Y--
AUSTRALIAN	240V/50Hz	A96-245Z-A

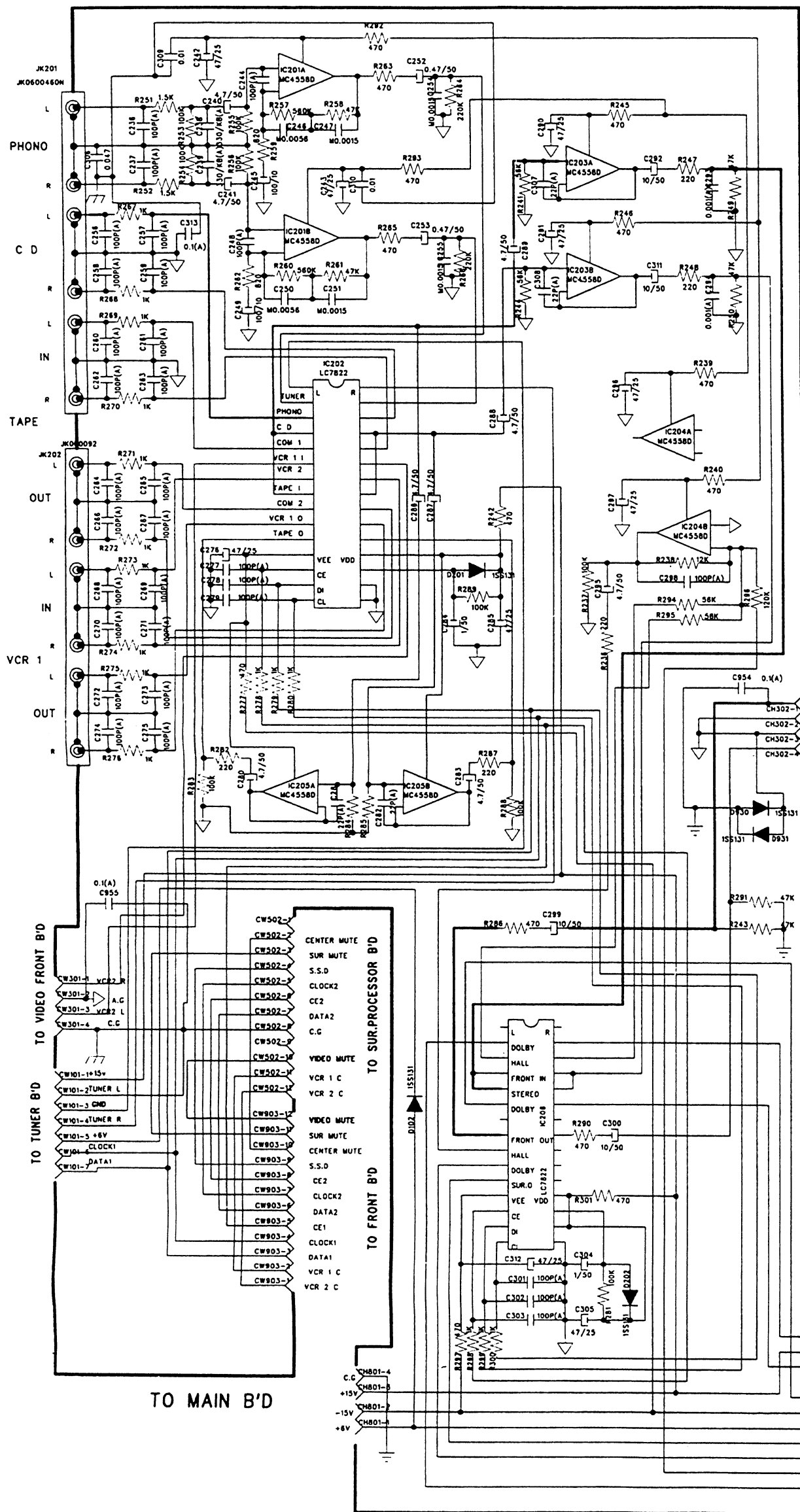


MAIN P/T		
BUYER	VOLTAGE	P/T NO
CHINA	110V/60Hz	A41-238B-U
AMERICA	120V/60Hz	A41-238C-0
KOREA	220V/60Hz	A41-238X-K
EUROPE	230V/50Hz	A41-238Y-Y
AUSTRALIAN	240V/50Hz	A41-238Z-A

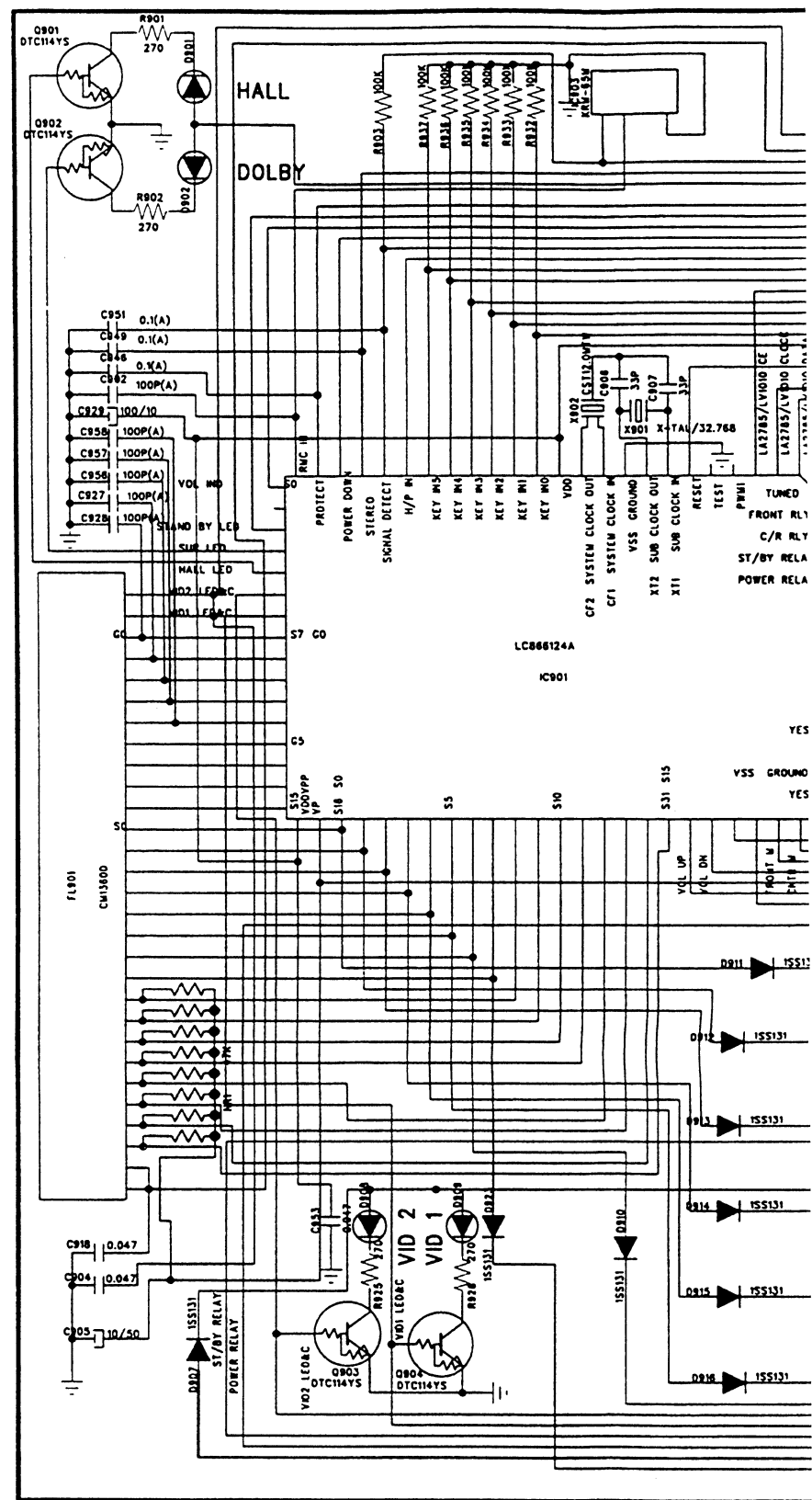


SCHEMATIC DIAGRAM/FRONT

AUDIO FRONT B'D(2)

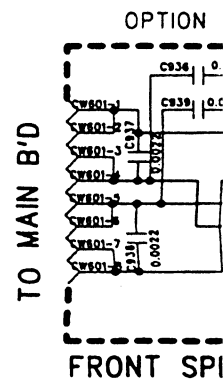
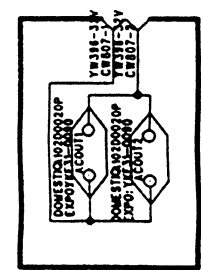


FRONT B'D(1)



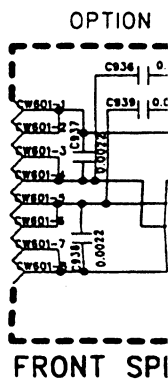
TO VOLUME B'D

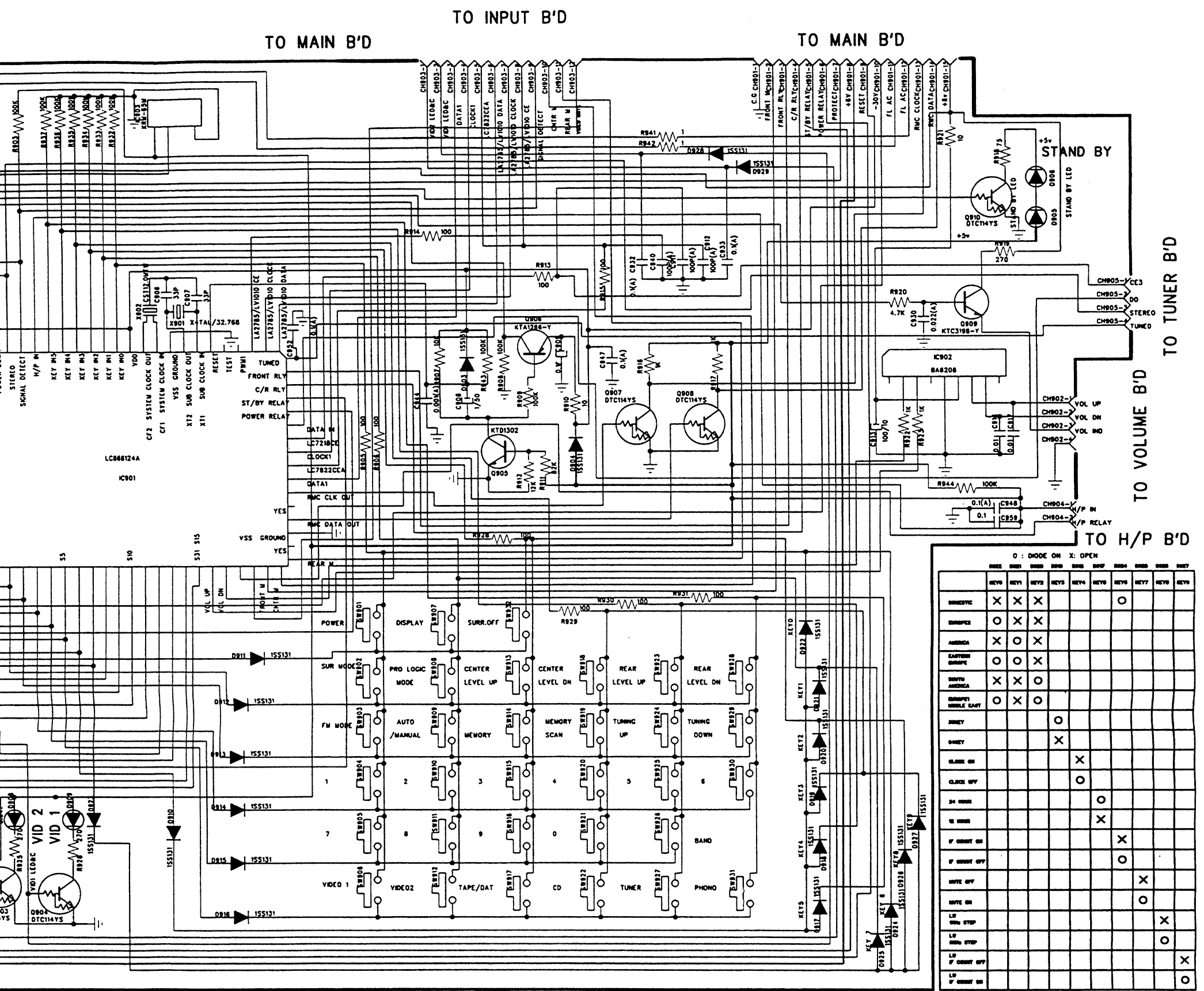
TO MAIN B'D



TO SUR.PROCESSOR B'D

TO MAIN B'D

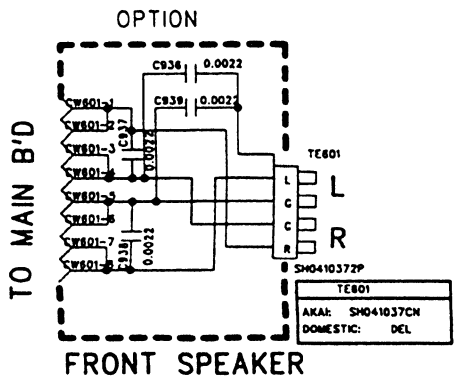
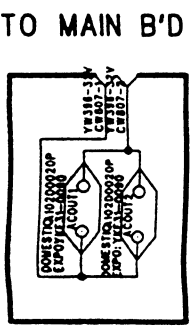


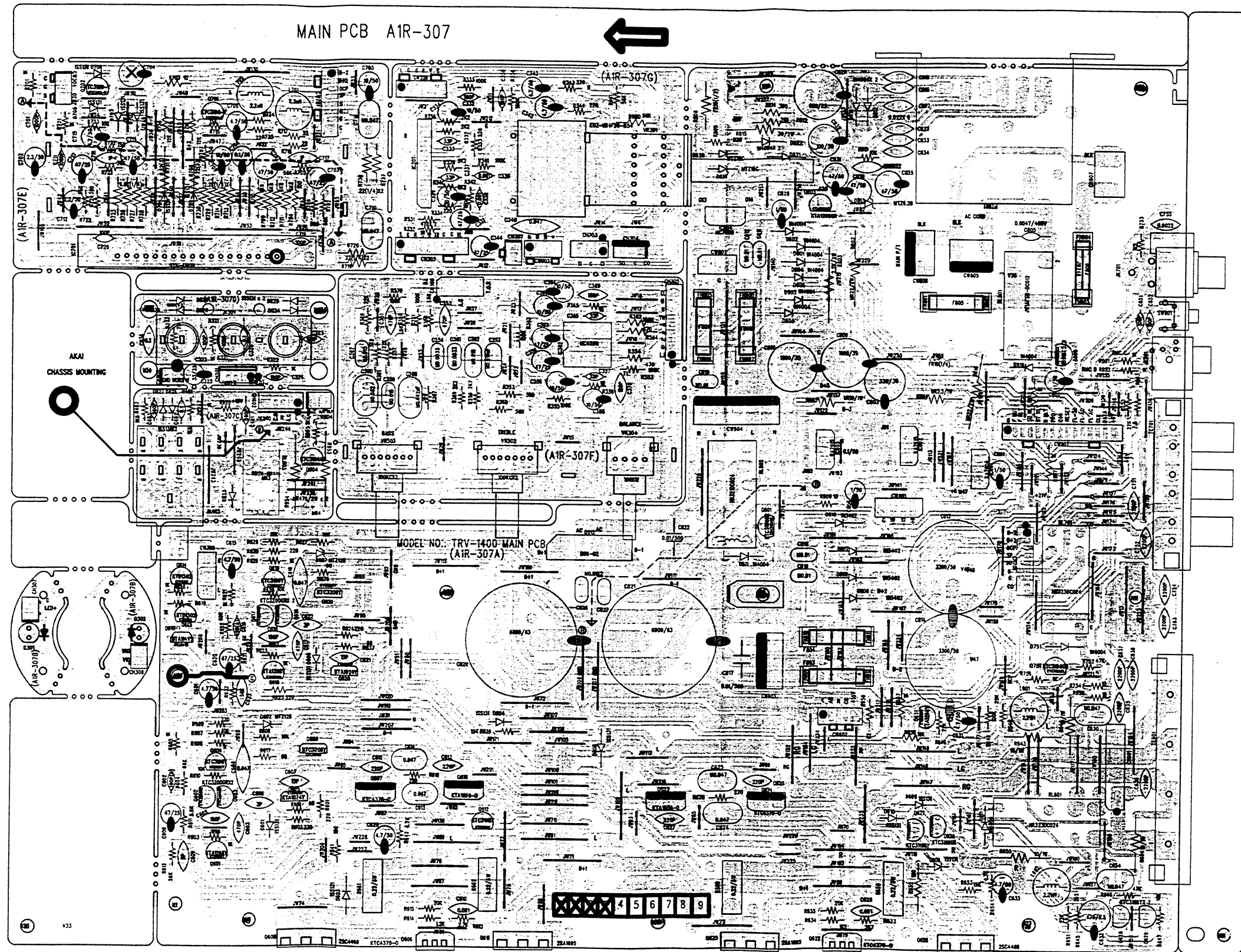


0 : DIODE ON X : OPEN

	KEY1	KEY2	KEY3	KEY4	KEY5	KEY6	KEY7	KEY8	KEY9	KEY10
DIAGNOSTIC	X	X	X							O
DIAGNOSTIC	O	X	X							
AMERICA	X	O	X							
EASTERN EUROPE	O	O	X							
WESTERN AMERICA	X	X	O							
EUROPE/ISRAEL/INDIA	O	X	O							
JAPANESE					X					
GERMANY										
CLASS ON								X		
CLASS OFF									O	
34 HOUR										
16 HOUR									X	
17 COUNT ON										O
17 COUNT OFF										O
NOTE OFF										X
NOTE ON										O
LP 1700 STOP										O
LP 1800 STOP										O
LP 1700 COUNT OFF										O
LP 1700 COUNT ON										O

DOMESTIC: D824	2BAND: D818
3BAND: D817	ZENDAR: D820
EUROPE: D819	D822
AKAI: D822	D824
D824	D825
D825	
3BAND: D817	
EUROPE: D818	
MATA: D820	
D822	
D824	
D825	





	F805	C805
DOMESTIC	F805-53151-337	SCF264728285
EXPO	F805-53151-338	SCF264728285
AKAI	F805-53152-338	DC7504F 4728V41-4C

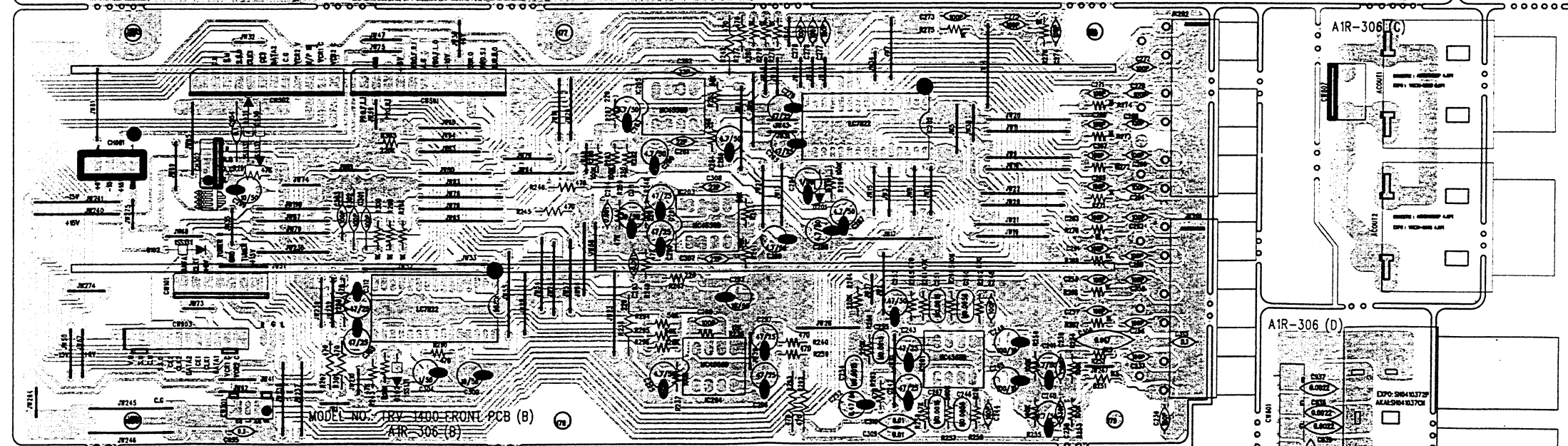
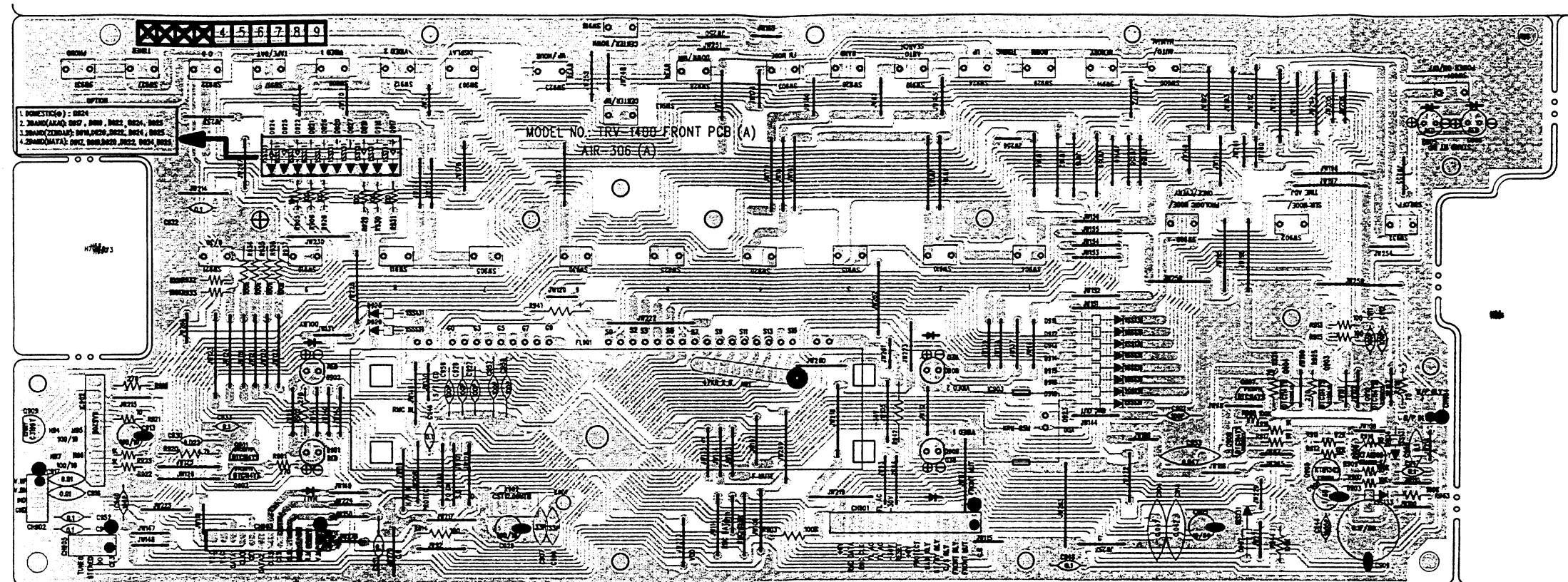
1. (A) $\overleftrightarrow{\text{VME}(P)}$ (A)
2. (B) $\overleftrightarrow{\text{VME}(P)}$ (B)
3. (C) $\overleftrightarrow{\text{VME}(P)}$ MOUNTING
4. (D) $\overleftrightarrow{\text{VME}(P)}$ MOUNTING (AKAI)

	CH601	TE601
DOMESTIC	X	O
EXPO	O	X

PCB LAYOUT/FRONT

FRONT PCB(1)

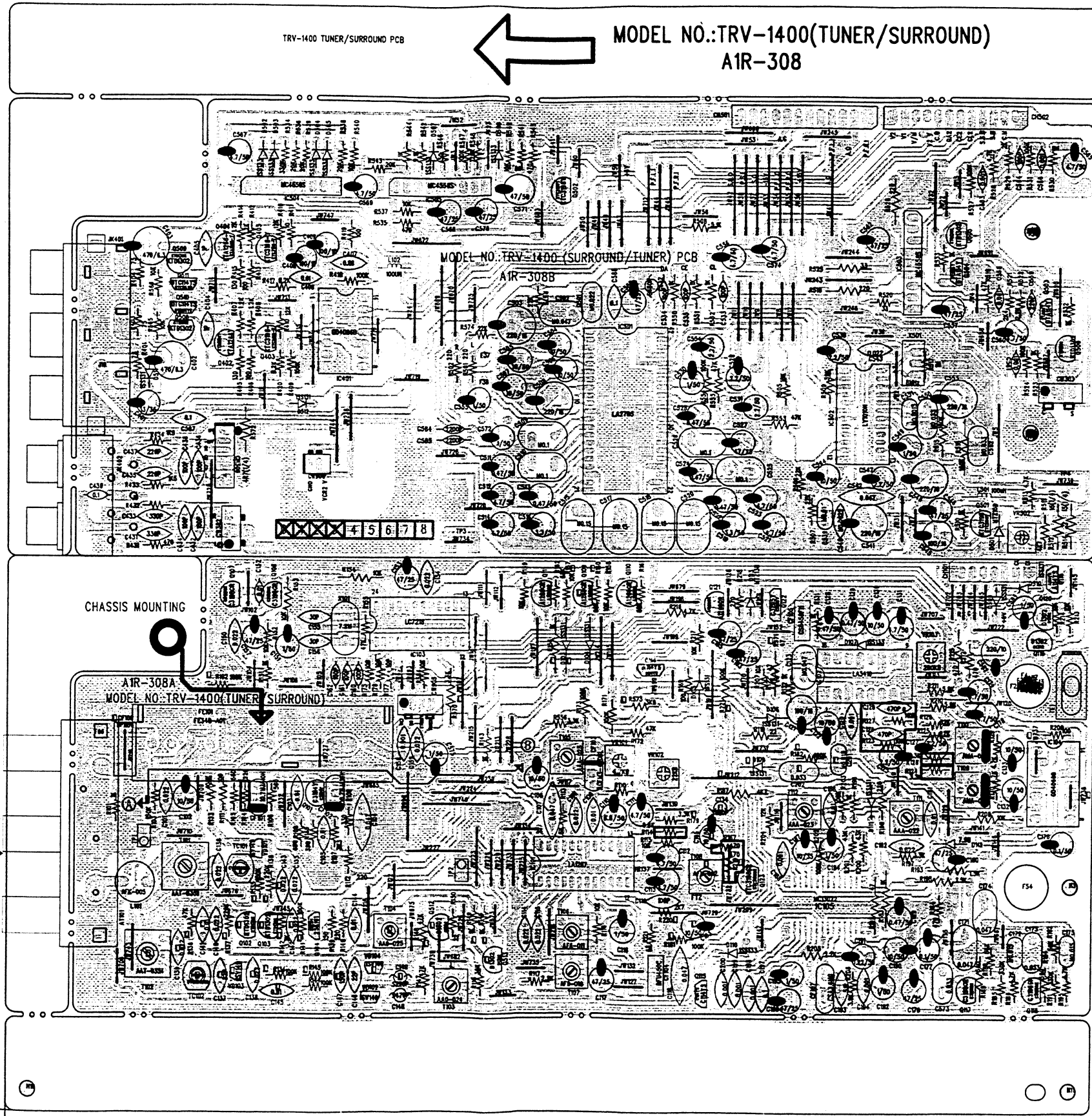
- OPTION INSERT PARTS
1. DOMESTIC: D924 INSERT
 2. 28AND(CANADA): D918 D920 D922 D924 D925
 3. 28AND(EUROPE): D917 D919 D920 D921 D922 D924 D925
 4. 28AND: D917 D919 D922
 - AKAJ: D924 D925



FRONT PCB(2)

AIR-306 (D) IS
DOMESTIC DELETE

TERO1
EXP: SH41037P
AKASH41037C



DELETE PARTS(AKAI)

NO	POSITION	VALUE	NO	POSITION	VALUE
1	C170	47/25	42	JW729	AMPER
2	C171	10.0/47	43	JW732	AMPER
3	C172	10.0/25	44	JW738	AMPER
4	C173	10.0/33	45	JW743	AMPER
5	C174	10.0/47	46	JW745	AMPER
6	C175	10.0/25	47	JW746	AMPER
7	C176	0.1/50	48	Q175	OTCHMYS
8	C177	0.1/50	49	Q177	KTIC3980R
9	C180	47/25	50	Q180	KTIC3980R
10	C181	0.01	51	R122	47
11	C182	0.022	52	R129	4.7K
12	C184	1/50	53	R130	4.7K
13	C186	0.01	54	R167	470
14	C187	10/35	55	R163	K
15	C188	1000P	56	R164	470
16	C189	0.47/50	57	R165	330K
17	C190	10/50	58	R166	4.7K
18	C191	0.22/50	59	R167	4.7K
19	C192	1/50	60	R168	50K
20	C193	5P	61	R169	500
21	C194	1000P	62	R160	1.5K
22	C195	1/50	63	R161	330K
23	C196	47/25	64	R162	50K
24	C197	0.1	65	R163	1.5K
25	C198	1000P	66	R164	500
26	C199	1000P	67	R165	4.7K
27	C200	5P	68	R166	K
28	C573	10.0/33	69	R167	3.3K
29	C107	CSA3.80K	70	R168	220
30	D10	ES531	71	R169	47
31	D11	ES531	72	R206	4.3K
32	D12	WT27.50	73	R209	4.3K
33	IC104	CS40000	74	R202	100K
34	IC105	MC13022	75	R203	100K
35	JW10	AMPER	76	R204	10K
36	JW135	AMPER	77	R205	2.2K
37	JW141	AMPER	78	R206	3.9K
38	JW148	AMPER	79	R207	10K
39	JW147	AMPER	80	R208	10K
40	JW149	AMPER	81	R209	100
41	JW561	AMPER	82	T01	AAA-022
			83	T02	AAA-023

CHANGE PARTS

DOMESTIC	FE101	CHANGE PARTS
ZENDAR,ZENDAR,MAYA	FE340-AD1	R104
ZBAND-AKAI	FTM-560Y	ZBAND 220
		DOMESTIC, ZENDAR 100
		CHANGE PARTS
		R114
		ZBAND, AKAI 6.8K
		DOMESTIC, ZENDAR 10K

1. (A) WIRE(IP) (B) : ZENDAR,MAYA,AKAI
 2. FE101 MESH WIRE (C) : CHASSIS MOUNTING(AKAI)

CHANGE PARTS

	R123,R127	C123,C128	R124,R128
DOMESTIC	82K	100P	2.2K
ZENDAR(ZBAND)	10K	880P	3.3K
ZBAND(AKAI)	10K	470P	3.3K

IX. INFORMATION OF ICs MI-COM

LC866124A

Pin No	Port Name	I/O	Description	Active
1	DATA	O	LA2785/LV1010 - DATA	H/L
2	CLOCK	O	LA2785/LV1010 - CLOCK	H/L
3	CE	O	LA2785/LV1010 - CE	H/L
4	PWM1	I	NC	
5	NC		TEST PIN. NC	
6	RESET TERMINAL	I	RESET PORT	L
7	SUB CLOCK	O	SUB CLOCK INPUT, 32.768KHz	
8	SUB CLOCK	I	SUB CLOCK OUTPUT, 32.768KHz	
9	VSS		GROUND	
10	SYSTEM CLOCK	I	SYSTEM CLOCK INPUT, 12MHz	
11	SYSTEM CLOCK	O	SYSTEM CLOCK OUTPUT, 12MHz	
12	VDD	I	VDD	
13	KEY IN 0	I	KEY 0	
14	KEY IN 1	I	KEY 1	
15	KEY IN 2	I	KEY 2	
16	KEY IN 3	I	KEY 3	
17	KEY IN 4	I	KEY 4	
18	KEY IN 5	I	KEY 5	
19	H/P IN	I	HEADPHONE INPUT	H
20	SIGNAL DETECTOR	I	REAR LEVEL	L
21	STEREO	I	STEREO	L
22	POWER DOWN	I	POWER DOWN	L
23	PROTECT	I	PROTECT	L
24	RMC IN	O	REMOCON INPUT	
25	VOL IND	O	VOL LED	H
26	NC	O	NC	
27	STANDBY LED	O	STANDBY LED CONTROL	H
28	DOLBY LED	O	DOLBY LED CONTROL	H
29	HALL LED	O	HALL LED CONTROL	H
30	VID2 LED & C	O	VID2 LED CONTROL	H
31	VID1 LED & C	O	VID1 LED CONTROL	H
32	G0	O	VFD DIGIT OUT G0	H
33	G1	O	VFD DIGIT OUT G1	
34	G2	O	VFD DIGIT OUT G2	
35	G3	O	VFD DIGIT OUT G3	
36	G4	O	VFD DIGIT OUT G4	
37	G5	O	VFD DIGIT OUT G5	
38	G6	O	VFD DIGIT OUT G6	
39	G7	O	VFD DIGIT OUT G7	
40	G8	O	VFD DIGIT OUT G8	

Pin No	Port Name	I/O	Description	Active
41	VDD VPP	O	POWER SUPPLY + TERMINAL	
42	VP	O	POWER PIN VFD	
43	SEG 16	O	VFD S0/KEY SCAN OUT 0	
44	SEG 17	O	VFD S1/KEY SCAN OUT 1	
45	SEG 18	O	VFD S2/KEY SCAN OUT 2	
46	SEG 19	O	VFD S3/KEY SCAN OUT 3	
47	SEG 20	O	VFD S4/KEY SCAN OUT 4	
48	SEG 21	O	VFD S5/KEY SCAN OUT 5	
49	SEG 22	O	VFD S6/KEY SCAN OUT 6	
50	SEG 23	O	VFD S7/KEY SCAN OUT 7	
51	SEG 24	O	VFD S8	
52	SEG 25	O	VFD S9	
53	SEG 26	O	VFD S10	
54	SEG 27	O	VFD S11	
55	SEG 28	O	VFD S12	
56	SEG 29	O	VFD S13	
57	SEG 30	O	VFD S14	
58	SEG 31	O	VFD S15	
59	VOL UP	O	MOTOR VOL UP	H
60	VOL DOWN	O	MOTOR VOL DOWN	H
61	H/P RELAY	O	H/P RELAY	H
62	VIDEO M	O	VIDEO MUTE	H
63	FRONT M	O	FRONT MUTE	H
64	CENTER M	O	CENTER MUTE	H
65	REAR M	O	REAR MUTE	H
66	NC		NC	
67	VSS		GROUND	
68	RMC DATA OUT	O	RMC DATA OUT	H/L
69	NC	O	NC	
70	RMC CLK OUT	O	RMC CLOCK OUT	H/L
71	DATA 1	O	LC7822/LC7218	H/L
72	CE2	O	LC7822 CHIP ENABLE	H/L
73	CLOCK1	O	LC7822/LC7218	H/L
74	CE3	O	LC7218 CHIP ENABLE	H/L
75	DATA IN	I	LC7218 DATA IN	H/L
76	PWR RLY	O	POWER RELAY CONTROL	H
77	STBY RLY	O	STANDBY RELAY CONTROL	H
78	C/R RLY	O	CENTER/REAR RELAY CONTROL	H
79	FRONT RLY	O	FRONT RELAY CONTROL	H
80	TUNED	I	TUNED INPUT	L

ABBREVIATIONS

AMPLIFIER

ABBREVIATION	EXPLANATION
A	Analog
AC	Alternating Current
AMP	AMPlifier
CD	Compact Disc
COM	COMMon
D	Digital
D/A	Digital to Analog
DAC	Digital to Analog Converter
DAT	Digital Audio Tape recorder
DC	Direct Current
GND	GrouND
L	Left
LED	Light Emitting Diode
MC	Moving Coil
MM	Moving Magnet
PCB	Printed Circuit Board
R	Right
REG	REGulator
REC	RECOrd
TR	TRansistor
SW	SWitch
V.AMP	Voltage AMPlifier
V.DISC	Video DISC
VR	Variable Resistance
VTR	Video Tape Recorder

TUNER

ABBREVIATION	EXPLANATION	ABBREVIATION	EXPLANATION
AFC	Auto Frequency Control	MEMO	MEMOry
AGC	Auto Gain Control	MI-COM	Micro-COMputer
ALC	Auto Level Control	MIN	MINimum
AM	Amplitude Modulation	MIX	MIXing
AMP	AMPlifier	MPX	MultipleX
ANT	ANTenna	MW	Medium Wave(frequency)
BATT	BATTery	NC	No Connection
BLK	BLock	NFB	Negative Feed Back
BUFF	BUFFer	OSC	OSCillator
COMP	COMParator	PCB	Printed Circuit Board
DET	DETECT(DETECTOR)	PLL	Phase Locked Loop
FLD	FLUorescent Display	Q.D	Quadrature Detector
FM	Frequency Modulation	Rch	Right channel
FREQ	FREQuency	REF	REFerence
GND	GrouND	REG	REGulator
H	High	RF	Radio Frequency
HPF	High Pass Filter	SEG	SEGment
IF	Intermediate Frequency	SELE	SELEctor
IHF	Institut of High Fidelity	SENS	SENSitivity
IND	INDicator	SIG	SIGnal
I/O	In/Out	S/N	Signal to Noise Ratio
JW	Jumper Wire	SSG	Standard Signal Generator
L	Low	STD	STANdard
LCD	Liquid Crystal Display	SW	SWitch : Short Wave(frequency)
Lch	Left channel	THD	Total Harmonic Distortion
LED	Light Emitting Diode	TP	Test Point
LPF	Low Pass Filter	VCO	Voltage Controlled Oscillator
LW	Long Wave(Frequency)	VR	Variable Resistor
		X'TAL	Crystal