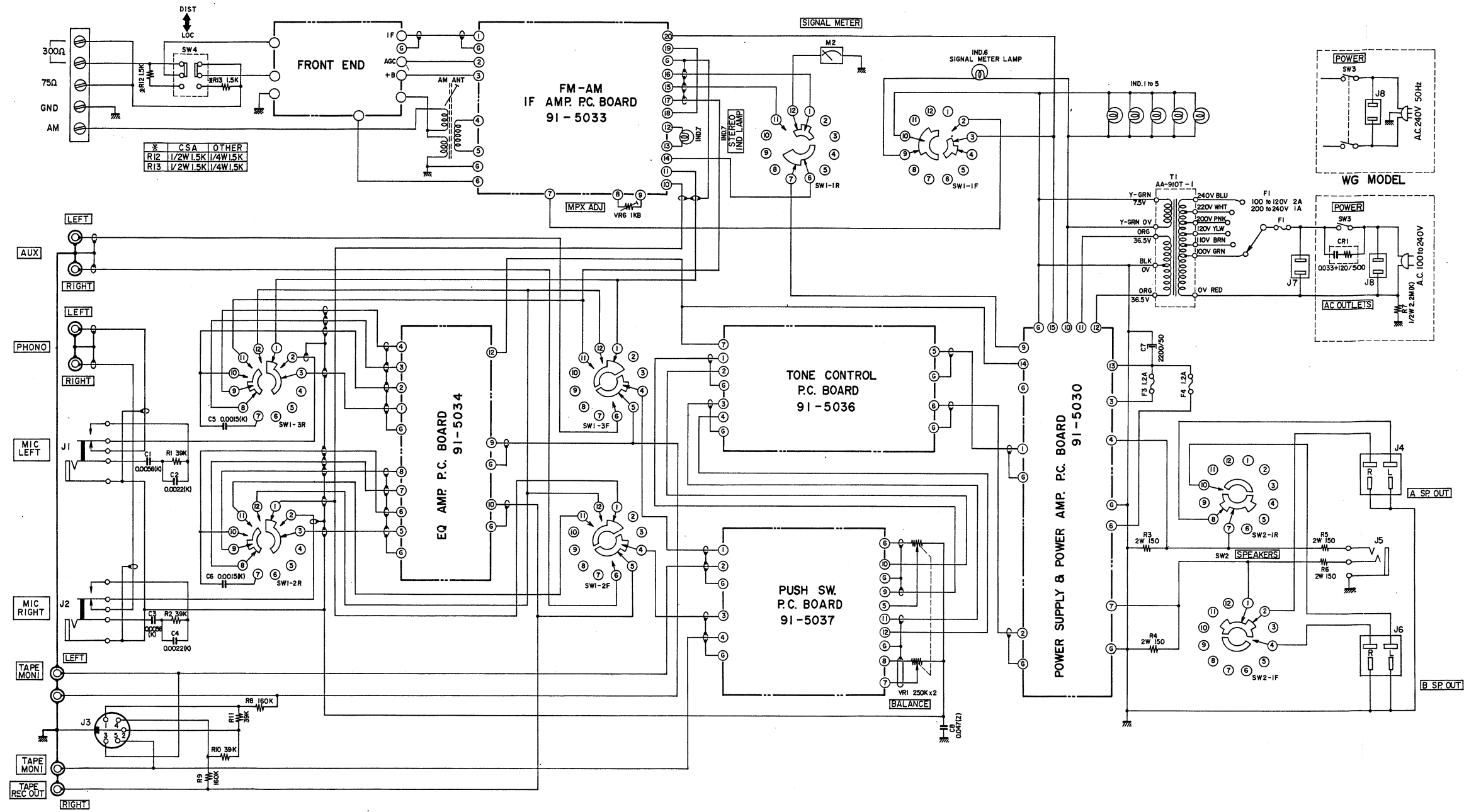
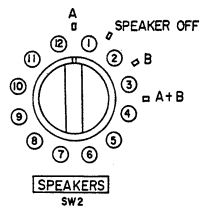
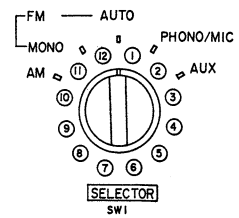


AA-910



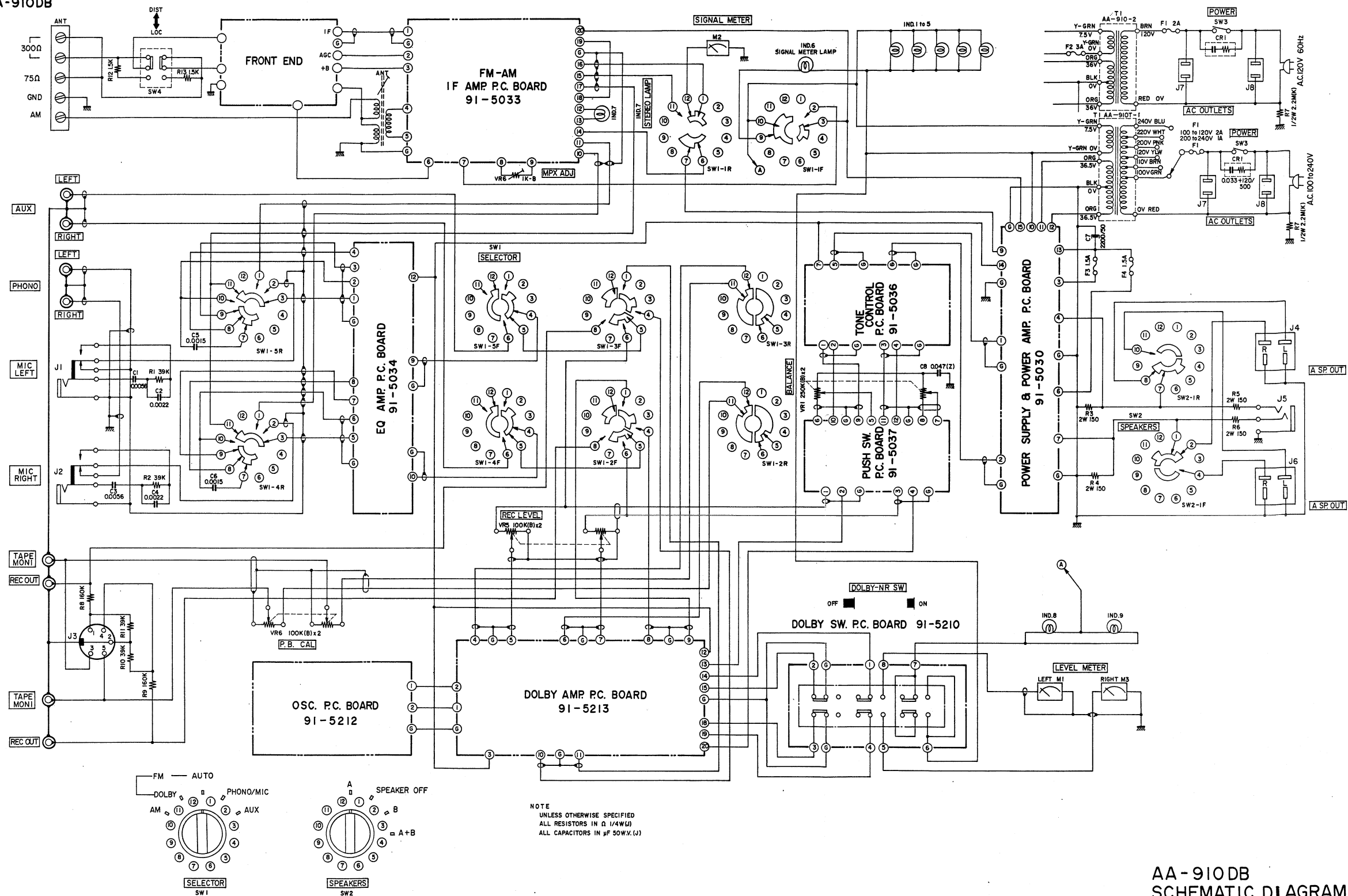
X	CSA	OTHER
R2	1/2W 1.5K	1/4W 1.5K
R13	1/2W 1.5K	1/4W 1.5K



NOTE
UNLESS OTHERWISE SPECIFIED
ALL RESISTORS IN Ω 1/4W.(J)
ALL CAPACITORS IN μF 50W.V.(J)

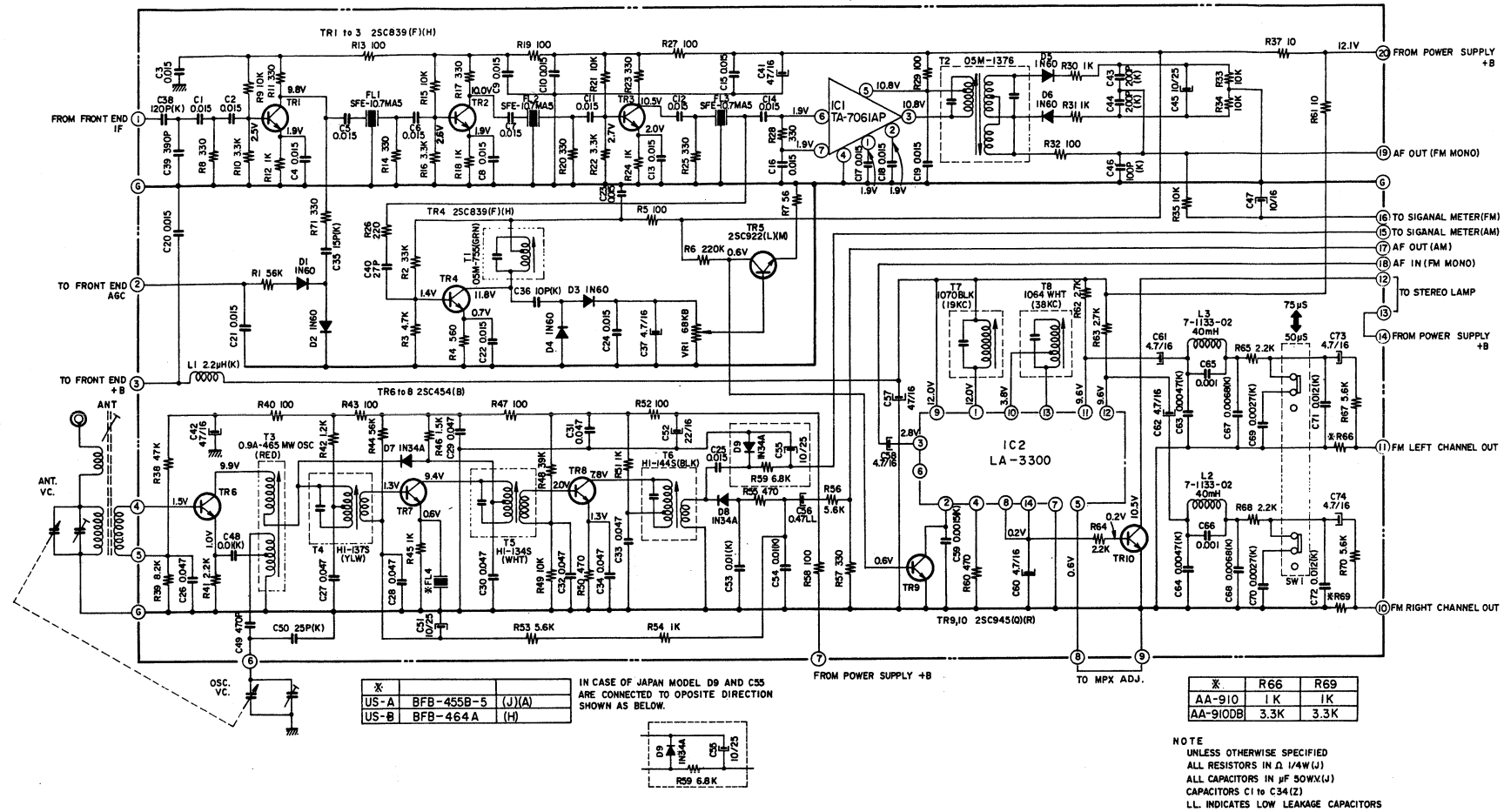
AA-910
SCHEMATIC DIAGRAM
1462202A

AA-910DB

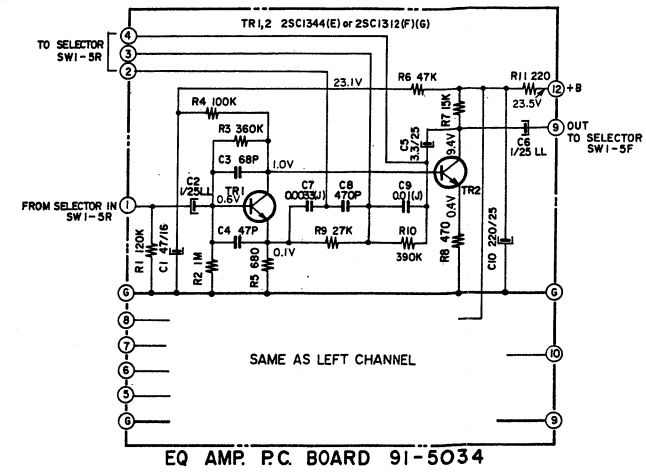


AA-910DB
SCHEMATIC DIAGRAM
1462203A

FM - AM IF AMP. P.C. BOARD 91-5033

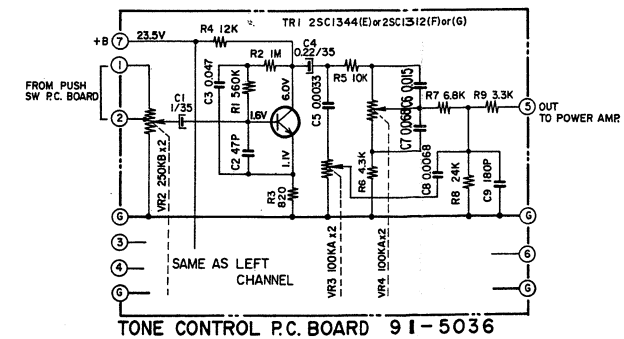


AA-910/DB FM-AM IF AMP. SCHEMATIC DIAGRAM NO.7-1 1462204A



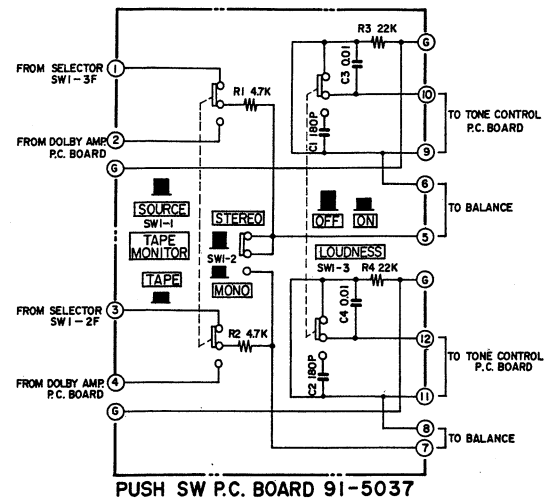
NOTE
UNLESS OTHERWISE SPECIFIED
ALL RESISTORS IN Ω 1/4W (J)
ALL CAPACITORS IN μF 50WV (J)

AA-910/DB EQ AMP. SCHEMATIC DIAGRAM NO.7-2 1462205A



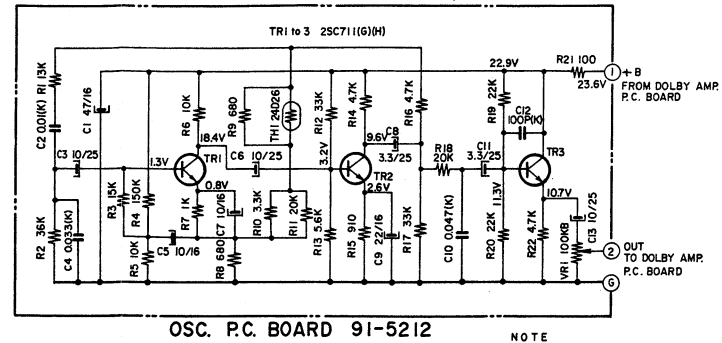
NOTE
UNLESS OTHERWISE SPECIFIED
ALL RESISTORS IN Ω 1/4W (J)
ALL CAPACITORS IN μF 50WV (J)

AA-910/DB TONE CONTROL SCHEMATIC DIAGRAM NO.7-3 1462206A



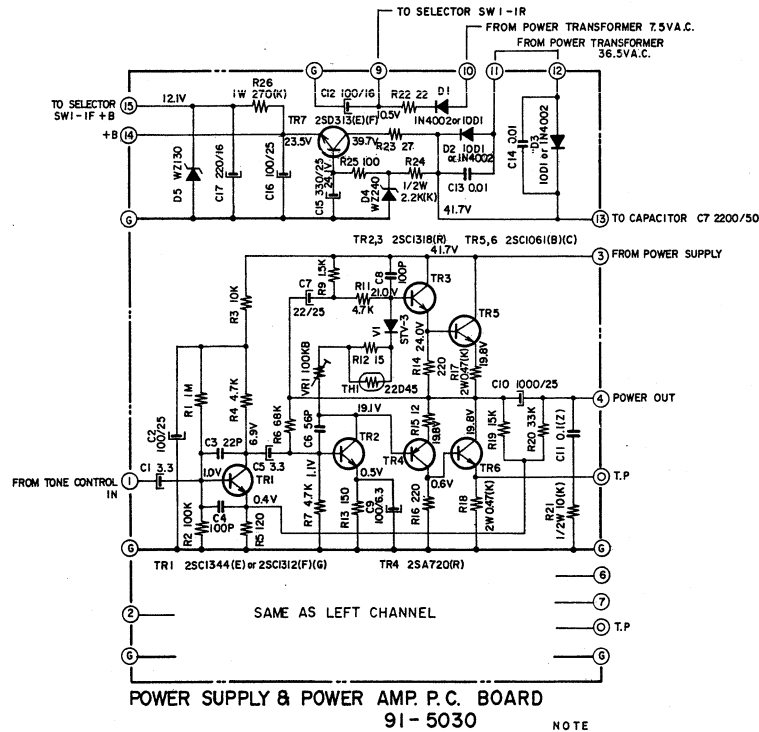
NOTE
UNLESS OTHERWISE SPECIFIED
ALL RESISTORS IN Ω 1/4W(J)
ALL CAPACITORS IN μ F 50W.V.(J)

AA-910/DB PUSH SW. SCHEMATIC DIAGRAM
NO.7-4 1462207A



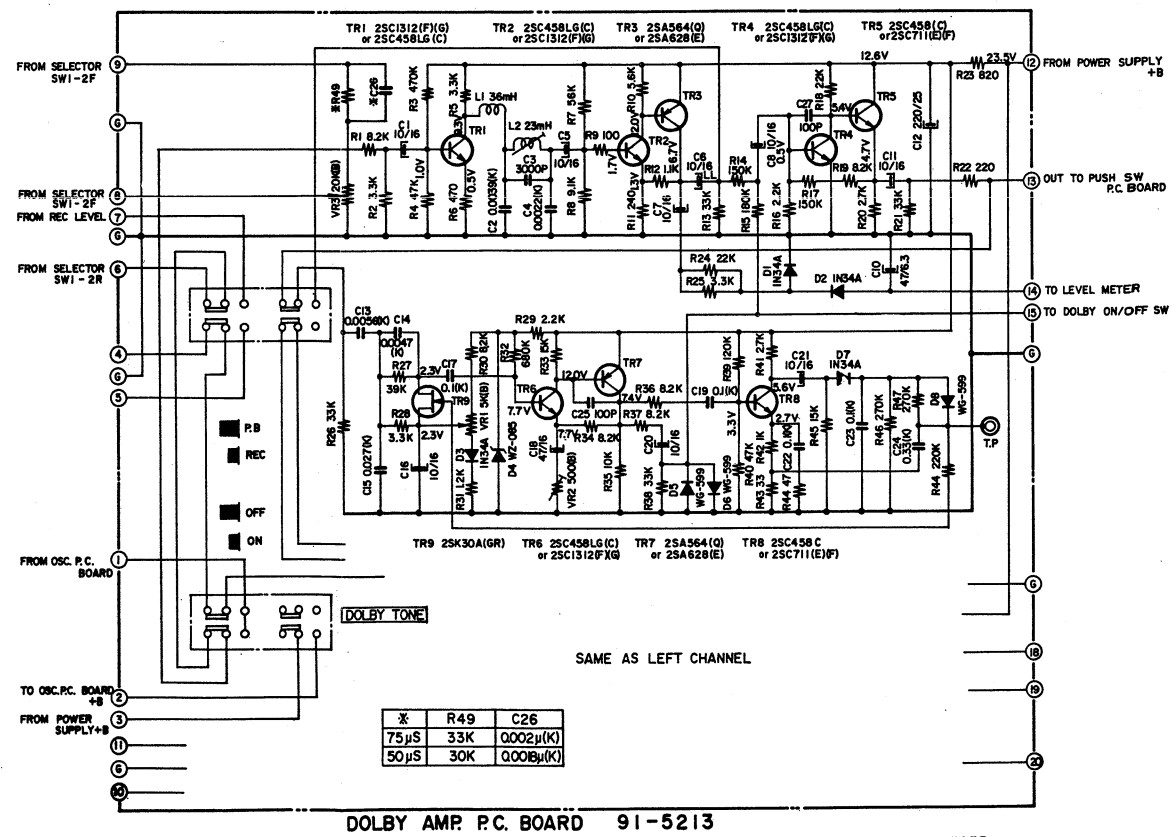
NOTE
UNLESS OTHERWISE SPECIFIED
ALL RESISTORS IN Ω 1/4W(J)
ALL CAPACITORS IN μ F 50W.V.(J)

AA-910DB OSC. SCHEMATIC DIAGRAM NO.7-6 1462209A



NOTE
UNLESS OTHERWISE SPECIFIED
ALL RESISTORS IN Ω 1/4W(J)
ALL CAPACITORS IN μ F 50W.V.(J)

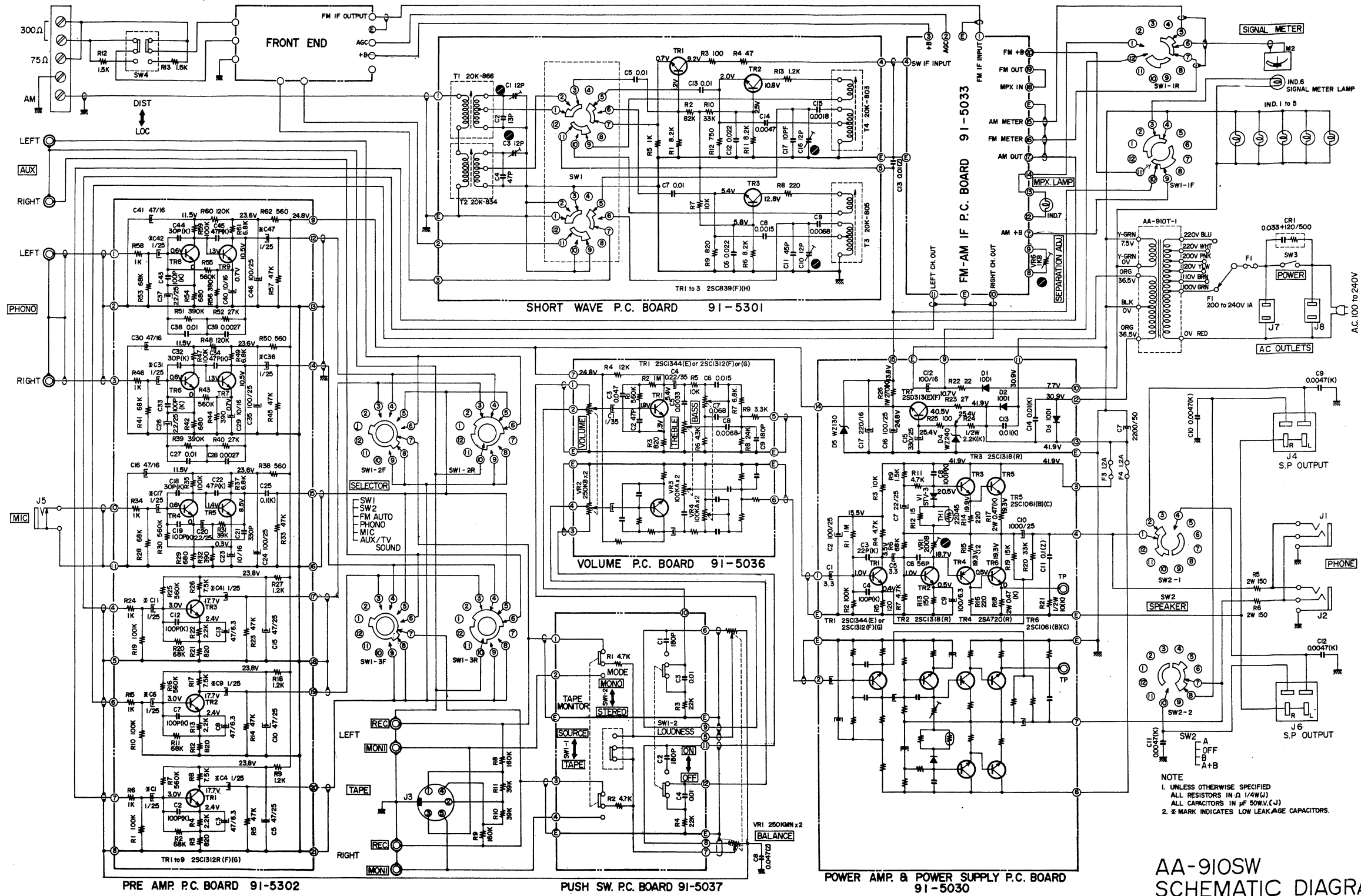
AA-910/DB POWER SUPPLY & POWER AMP.
SCHEMATIC DIAGRAM NO.7-5 1462208A



NOTE
UNLESS OTHERWISE SPECIFIED
ALL RESISTORS IN Ω 1/4W(J)
ALL CAPACITORS IN μ F 50W.V.(J)
LL INDICATES LOW LEAKAGE CAPACITORS

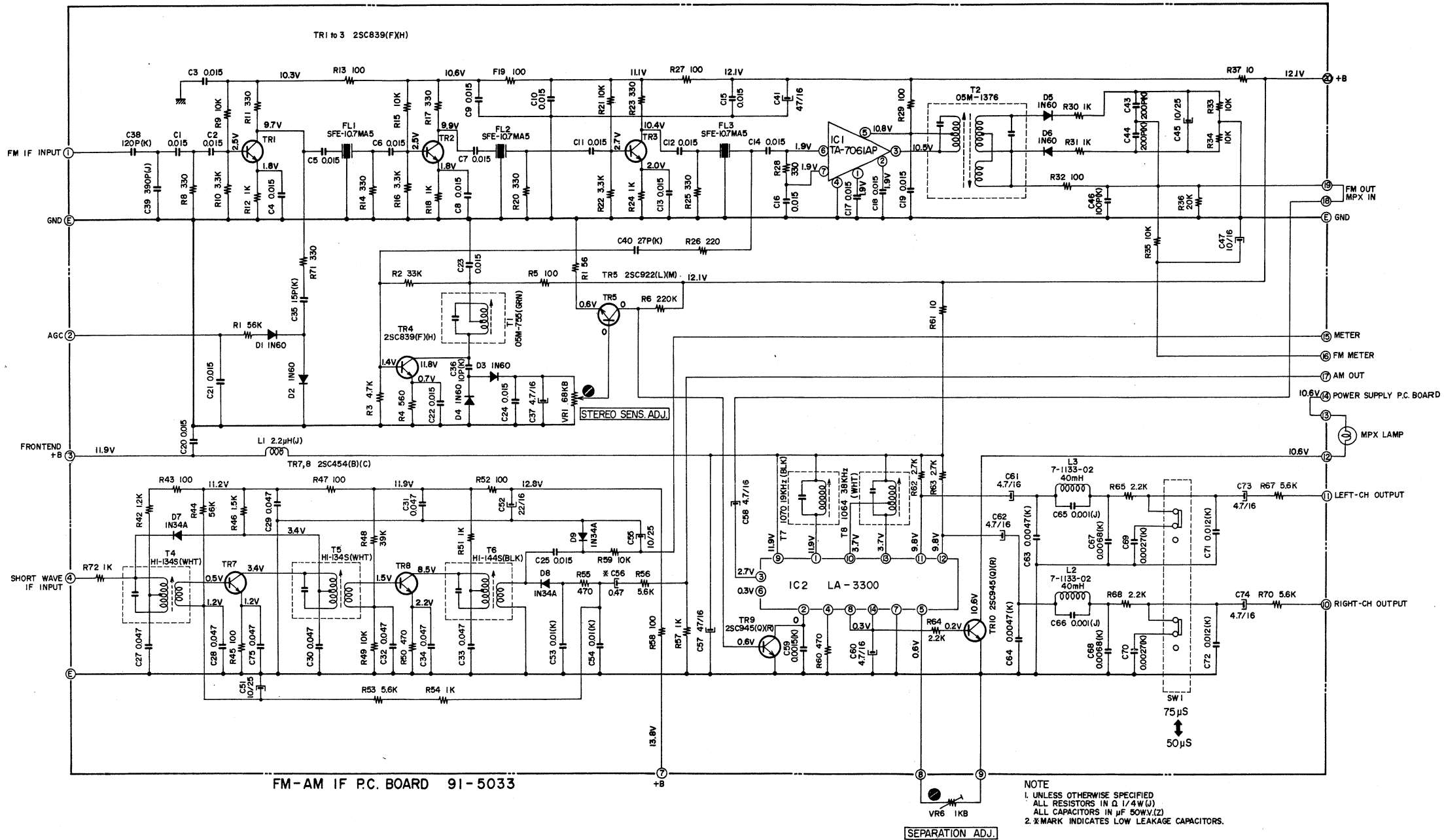
AA-910DB DOLBY AMP. SCHEMATIC DIAGRAM NO.7-7 1462210A

AA-910SW



NOTE
 1. UNLESS OTHERWISE SPECIFIED
 ALL RESISTORS IN Ω, 1/4W(J)
 ALL CAPACITORS IN μF 50WV(C,J)
 2. X MARK INDICATES LOW LEAKAGE CAPACITORS.

AA-910SW
 SCHEMATIC DIAGRAM
 NO. 2-1 1482410A
 2C



AA-910SW
 SCHEMATIC DIAGRAM
 NO. 2-2 1482411A
 2c